

Additional Dimensions: (Part # 4820)

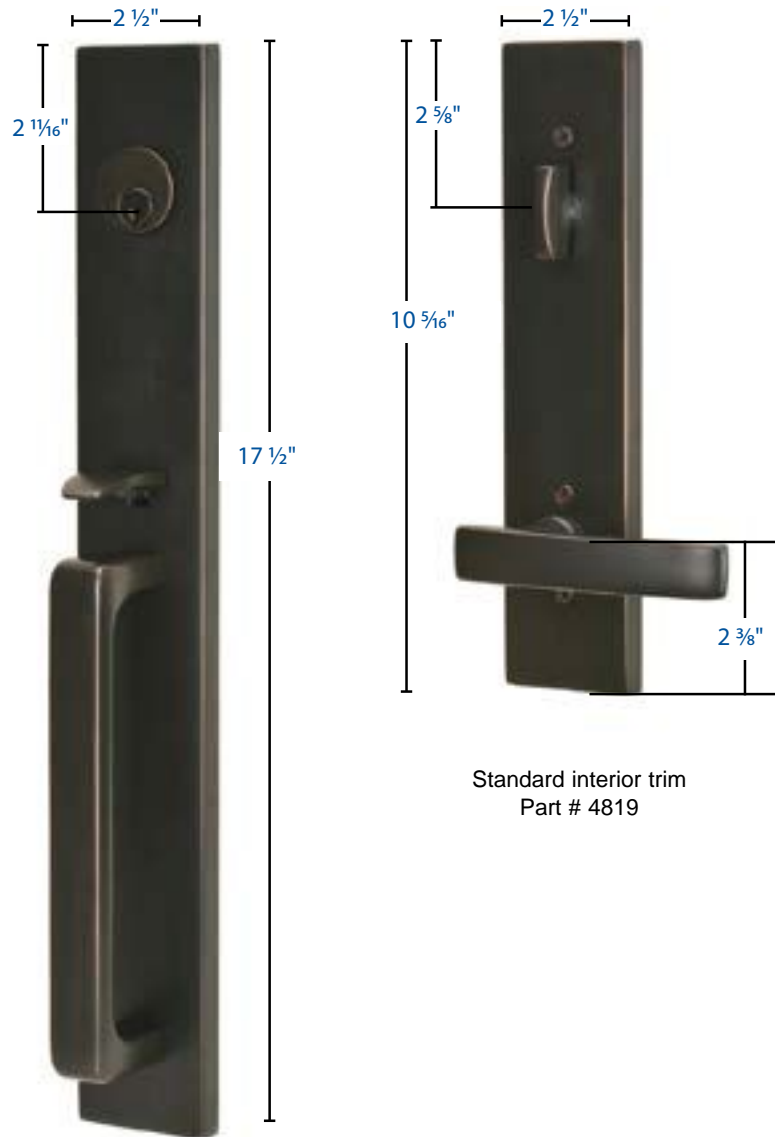
- Exterior Projection is $2\frac{1}{2}$ "
- Interior Projection Depends on Handle Style
- Overall Grip thickness: 1 "
- Clearance between door & grip is $1\frac{7}{8}$ "
- Plates thickness: $\frac{1}{2}$ "

Same Dimensions for Dummy Function

Additional Dimensions: (Part # 4818)

- Exterior Projection is $2\frac{3}{4}$ "
- Interior Projection Depends on Handle Style
- Overall Grip thickness: 1 "
- Clearance between door & grip is 1 " - $1\frac{3}{4}$ "
- Plates thickness: $\frac{1}{2}$ "

Same Dimensions for Dummy Function

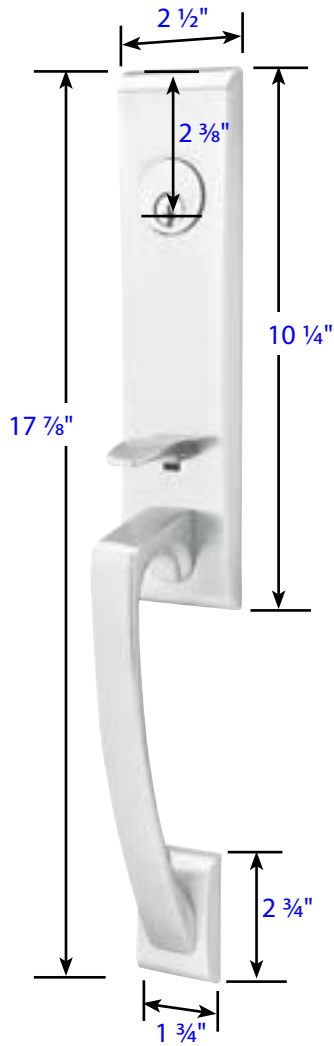


Lausanne Trim Style
Part # 4819

Additional Dimensions: (Part # 4819)

- Exterior Projection is 2 3/4"
- Interior Projection Depends on Handle Style
- Overall Grip thickness: 1"
- Clearance between door & grip is 1 7/16"
- Plates thickness: 1/2"

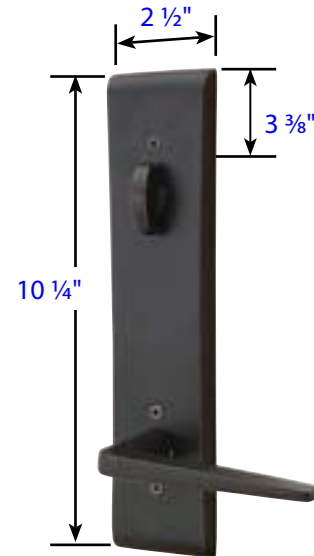
Same Dimensions for Dummy Function



Apollo Style
Part # 4815



Orion Trim Style
Part # 4816



Standard interior trim
Part # 4815 & 4816

Additional Dimensions: (Part # 4815)

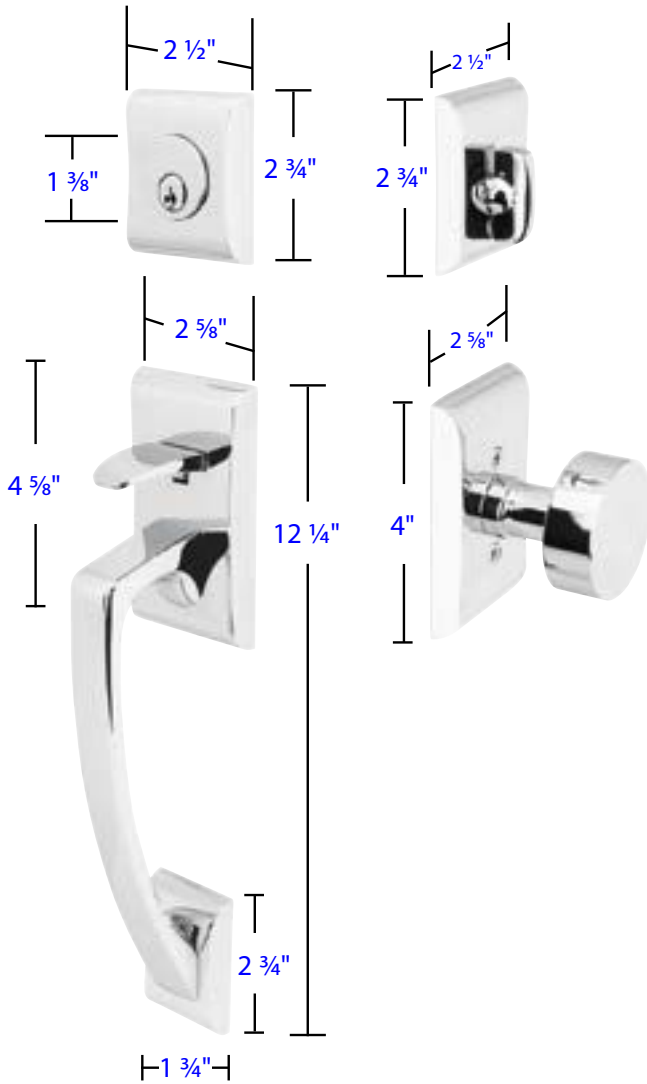
- Exterior Projection is 2 3/4"
- Interior Projection Depends on Handle Style
- Overall Grip thickness: 1"
- Clearance between door & grip is 2 1/4"
- Plates thickness: 1/2"

Same Dimensions for Dummy Function

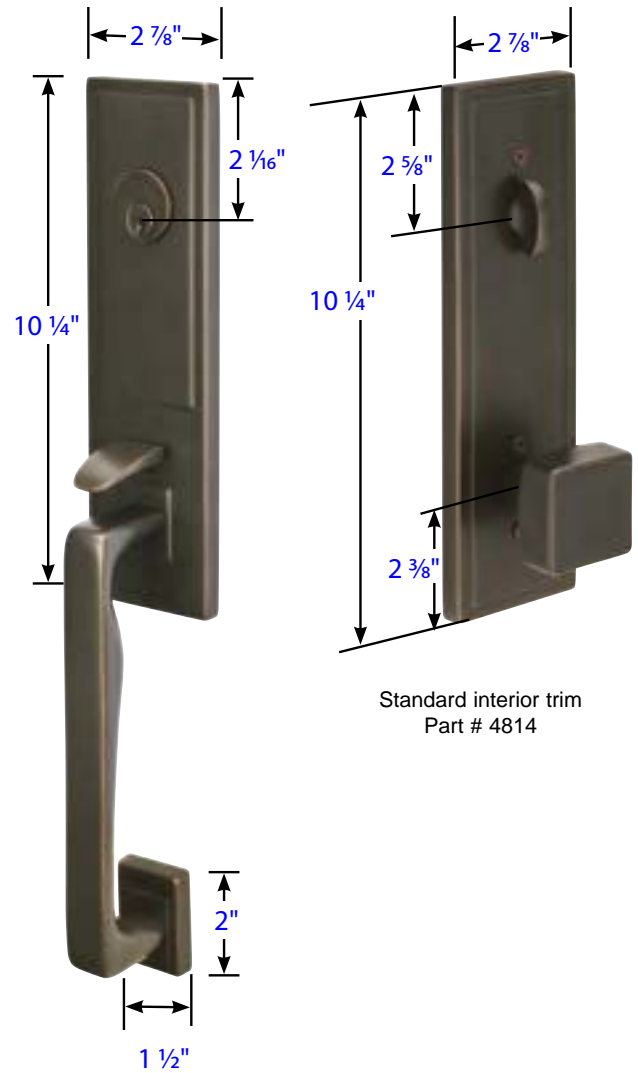
Additional Dimensions: (Part # 4816)

- Exterior Projection is 2 3/4"
- Interior Projection Depends on Handle Style
- Overall Grip thickness: 1"
- Clearance between door & grip is 1" - 1 3/4"
- Plates thickness: 1/2"

Same Dimensions for Dummy Function



Ares Style
Part # 4817



Standard interior trim
Part # 4814

Zeus Style
Part # 4814

Additional Dimensions: (Part # 4817)

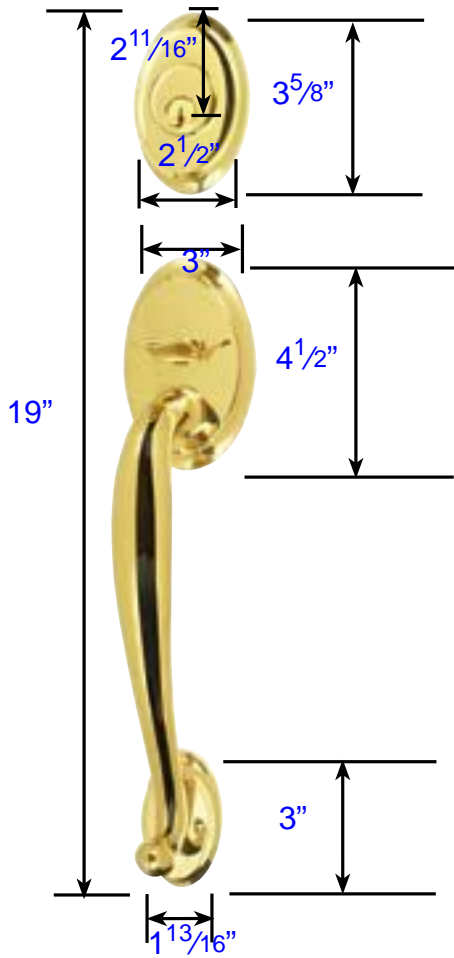
- Exterior Projection is 2 3/4"
- Interior Projection Depends on Handle Style
- Overall Grip thickness: 1 1/16"
- Clearance between door & grip is 1" - 1 3/8"
- Plates thickness: 7/16"

Same Dimensions for Dummy Function

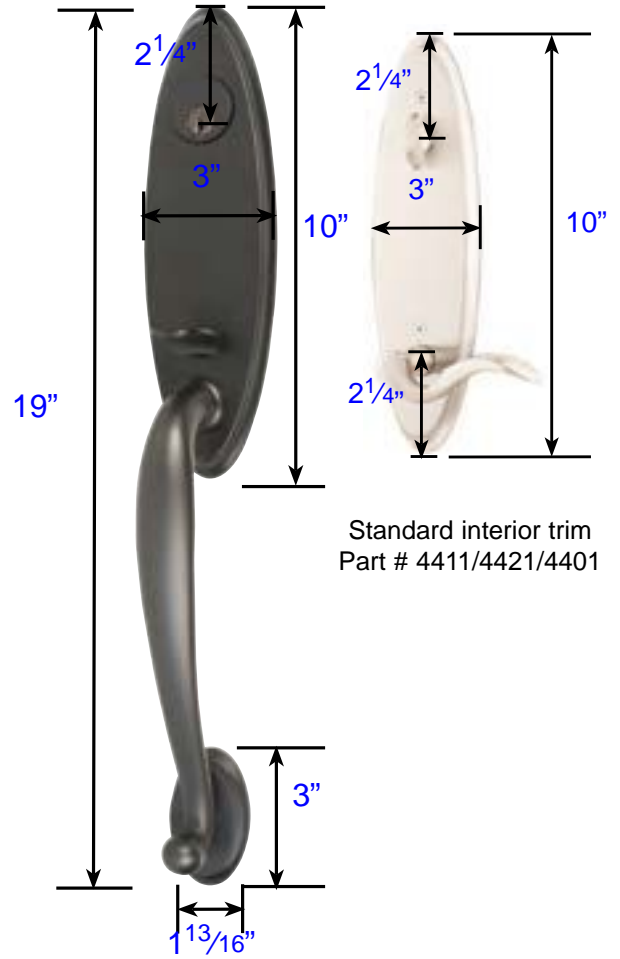
Additional Dimensions: (Part # 4814)

- Exterior Projection is 2 1/2"
- Interior Projection Depends on Handle Style
- Overall Grip thickness: 1 1/16"
- Clearance between door & grip is 1" - 1 3/8"
- Plates thickness: 7/16"

Same Dimensions for Dummy Function



Saratoga Style
Part # 4410



Standard interior trim
Part # 4411/4421/4401

Marietta Style
Part # 4411

Additional Dimensions: (Part # 4410)

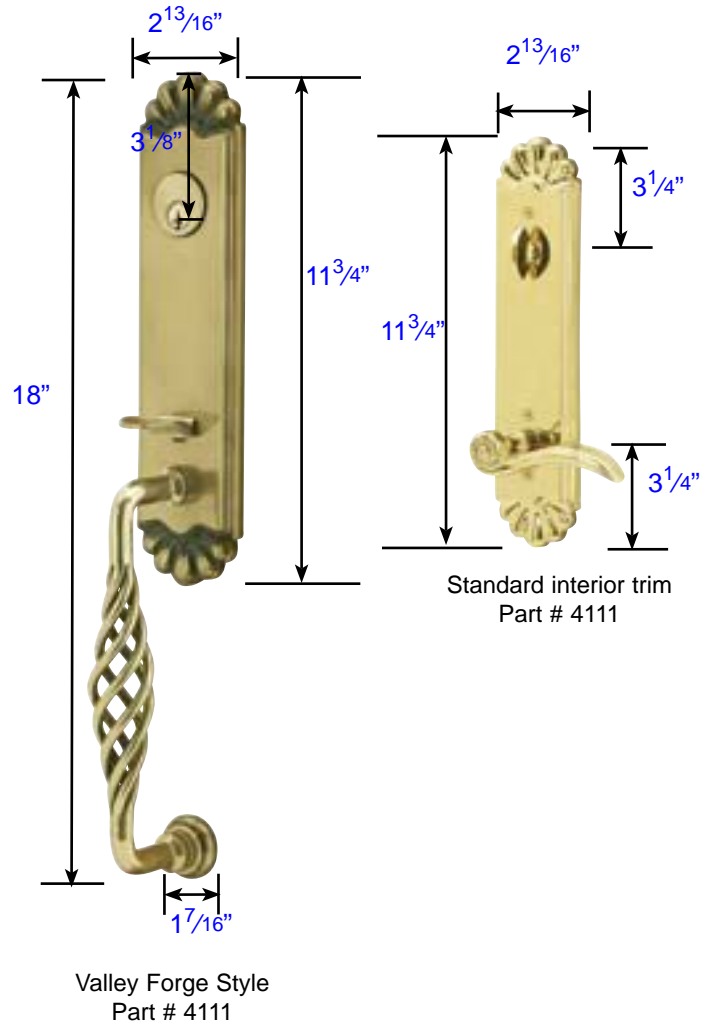
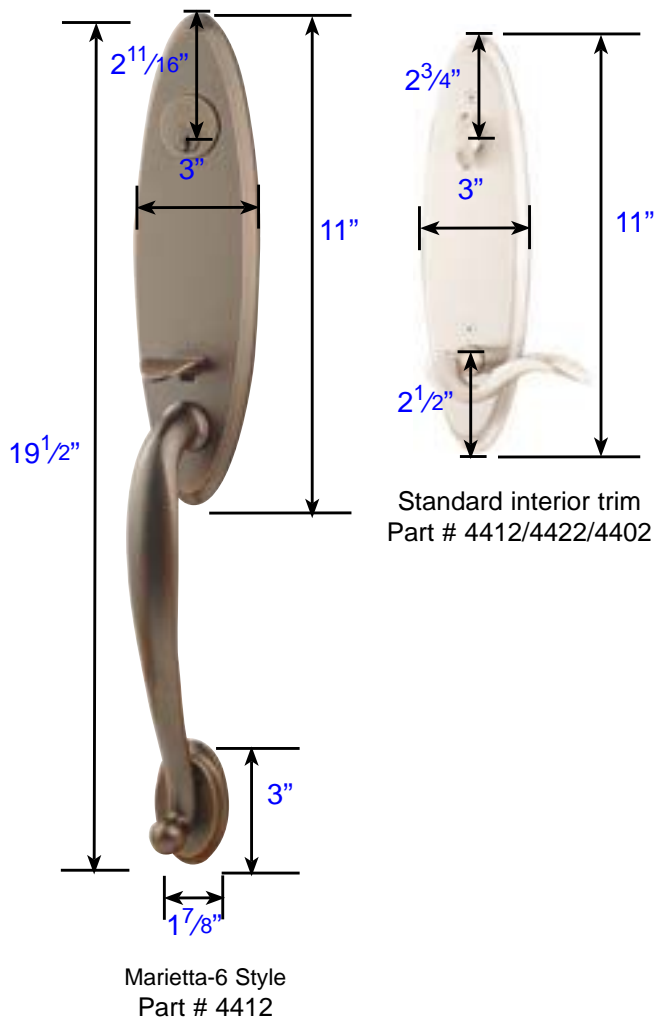
- Exterior Projection is $2\frac{11}{16}$ "
- Interior Projection Depends on Handle Style
- Overall Grip thickness: $1\frac{1}{4}$ "
- Clearance between door & grip is $1\frac{15}{16}$ "
- Standard Interior trim dimensions same as 8450, 8350, 8100
- Plates thickness: $\frac{7}{16}$ "

Same Dimensions for Dummy Function

Additional Dimensions: (Part # 4411)

- Exterior Projection is $2\frac{3}{4}$ "
- Interior Projection Depends on Handle Style
- Overall Grip thickness: $1\frac{3}{4}$ "
- Clearance between door & grip is 2"
- Plates thickness: $\frac{1}{2}$ "

Same Dimensions for Dummy Function



Additional Dimensions: (Part # 4412)

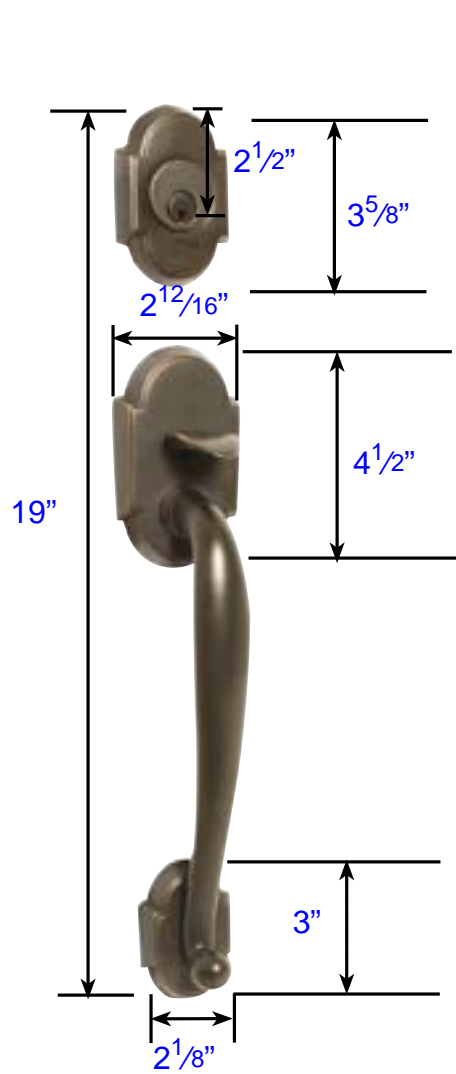
- Exterior Projection is $2\frac{11}{16}$ "
- Interior Projection Depends on Handle Style
- Overall Grip thickness: $1\frac{3}{4}$ "
- Clearance between door & grip is 2"
- Plates thickness: $\frac{7}{16}$ "

Same Dimensions for Dummy Function

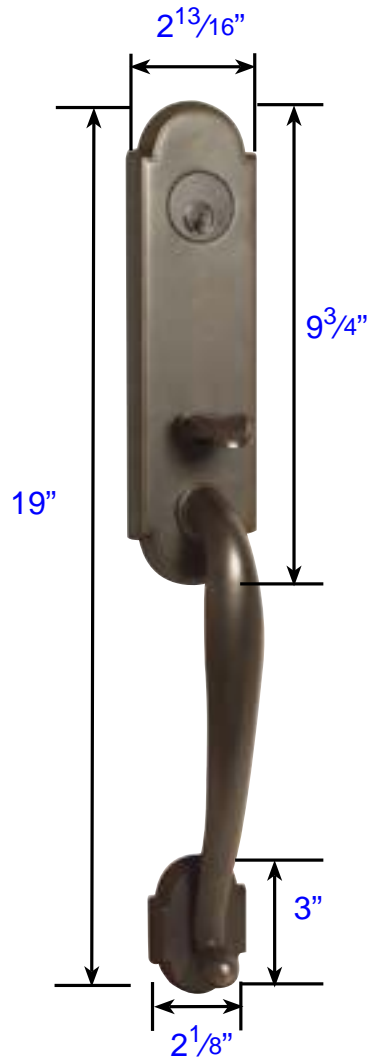
Additional Dimensions: (Part # 4111)

- Exterior Projection is 3"
- Interior Projection Depends on Handle Style
- Overall Grip thickness: $1\frac{7}{16}$ "
- Clearance between door & grip is $1\frac{1}{4}$ "
- Plates thickness: $\frac{1}{2}$ "

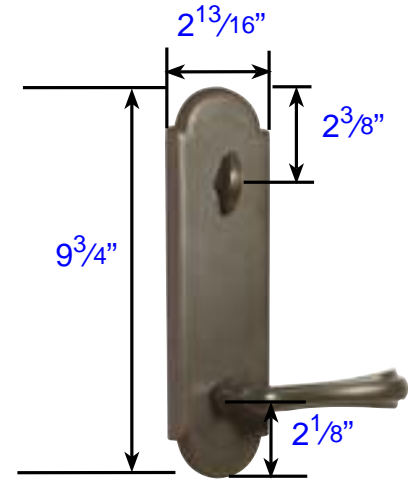
Same Dimensions for Dummy Function



Nashville Style
Part # 4312/4322



Richmond Style
Part # 4313/4323



Standard interior trim
Part # 4313

Additional Dimensions: (Part # 4312/4322)

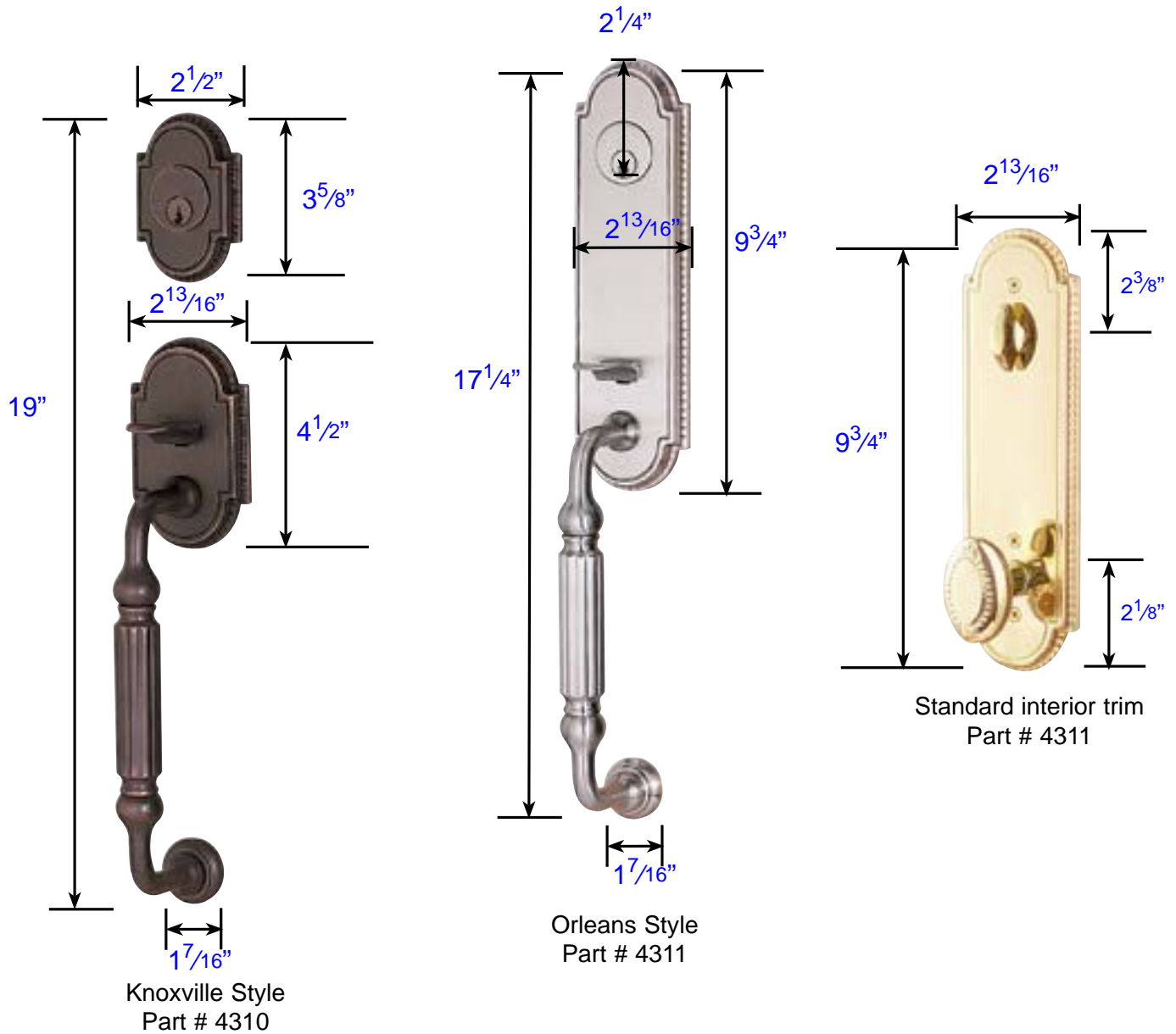
- Exterior Projection is $2\frac{11}{16}$ "
- Interior Projection Depends on Handle Style
- Overall Grip thickness: $1\frac{1}{4}$ "
- Clearance between door & grip is $1\frac{15}{16}$ "
- Standard Interior trim dimensions same as 8108, 8466, 8366
- Plates thickness: $\frac{1}{2}$ "

Same Dimensions for Dummy Function

Additional Dimensions: (Part # 4313/4323)

- Exterior Projection is $2\frac{11}{16}$ "
- Interior Projection Depends on Handle Style
- Overall Grip thickness: $1\frac{1}{4}$ "
- Clearance between door & grip is 2"
- Plates thickness: $\frac{1}{2}$ "

Same Dimensions for Dummy Function



Additional Dimensions: (Part # 4310)

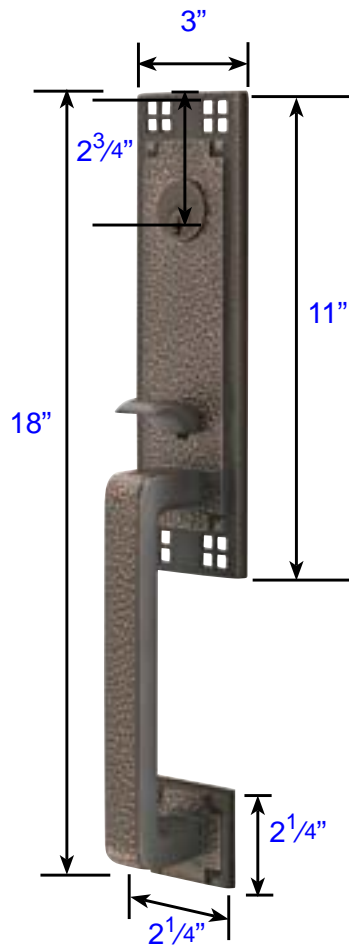
- Exterior Projection is 3"
- Interior Projection Depends on Handle Style
- Overall Grip thickness: 1"
- Clearance between door & grip is 1 1/2"
- Standard Interior trim dimensions same as 8458, 8358, 8108
- Plates thickness: 1/2"

Same Dimensions for Dummy Function

Additional Dimensions: (Part # 4311)

- Exterior Projection is 3"
- Interior Projection Depends on Handle Style
- Overall Grip thickness: 1"
- Clearance between door & grip is 1 1/2"
- Plates thickness: 1/2"

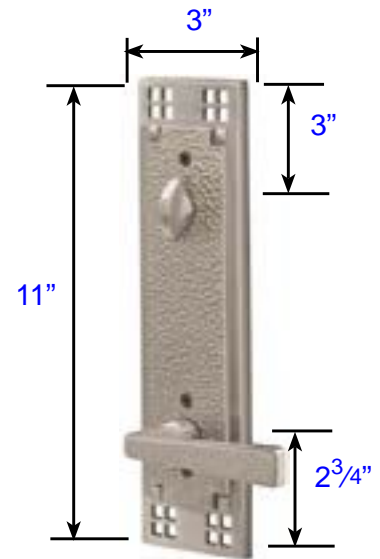
Same Dimensions for Dummy Function



Arts & Crafts Style
Part # 4811



Arts & Crafts Full Length Style
Part # 4812

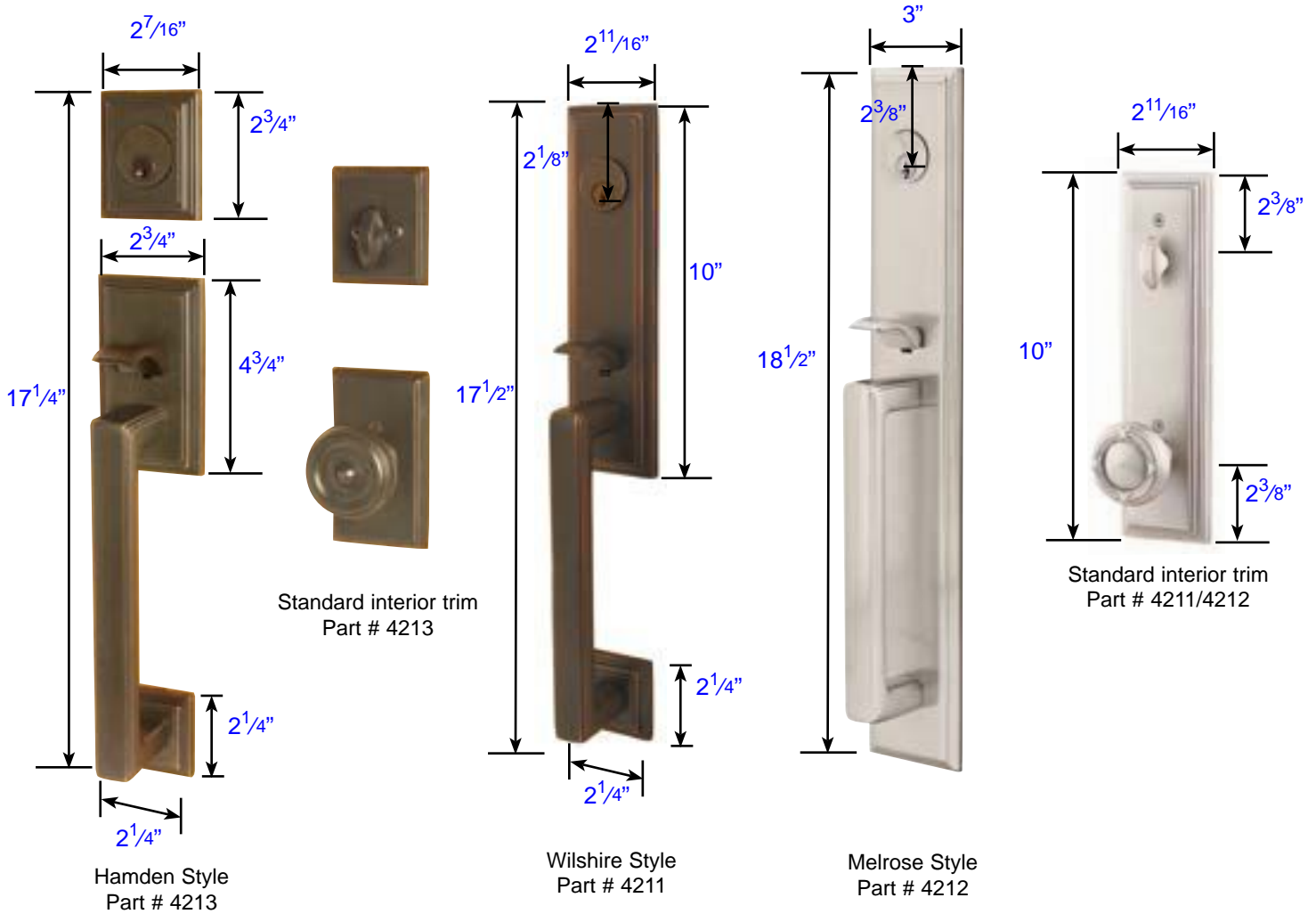


Standard interior trim
Part # 4811/4812

Additional Dimensions: (Part # 4811/4812)

- Exterior Projection is $2\frac{5}{8}$ "
- Interior Projection Depends on Handle Style
- Overall Grip thickness: $1\frac{1}{4}$ "
- Clearance between door & grip is $1\frac{1}{2}$ "
- Plates thickness: $\frac{1}{2}$ "

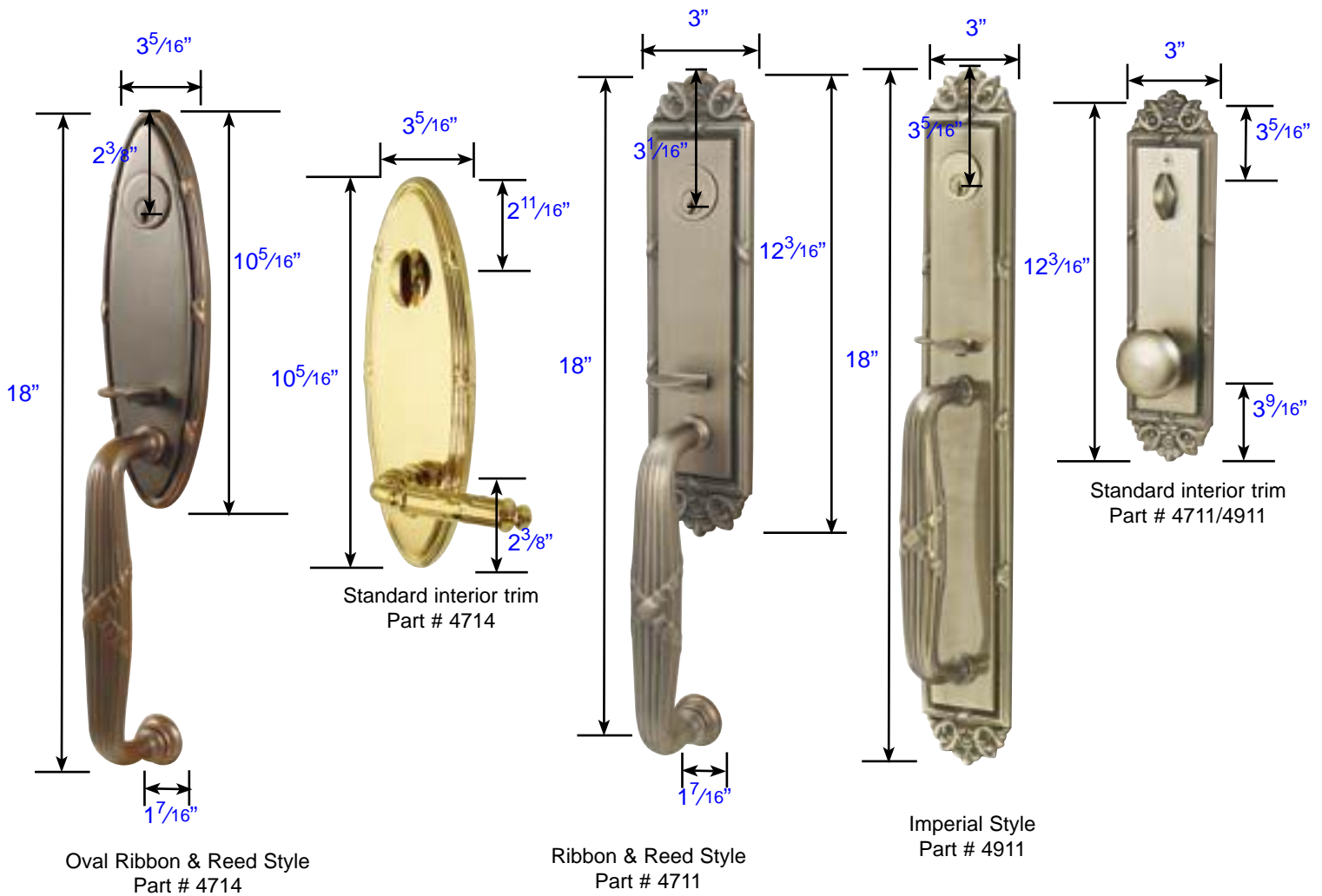
Same Dimensions for Dummy Function



Additional Dimensions: (Part # 4213/4211/4212)

- Exterior Projection is $2\frac{5}{8}$ "
- Interior Projection Depends on Handle Style
- Overall Grip thickness: 1"
- Clearance between door & grip is $1\frac{3}{8}$ "
- Standard Interior trim dimensions same as 8468, 8368, 8121
- Plates thickness: $\frac{1}{2}$ "

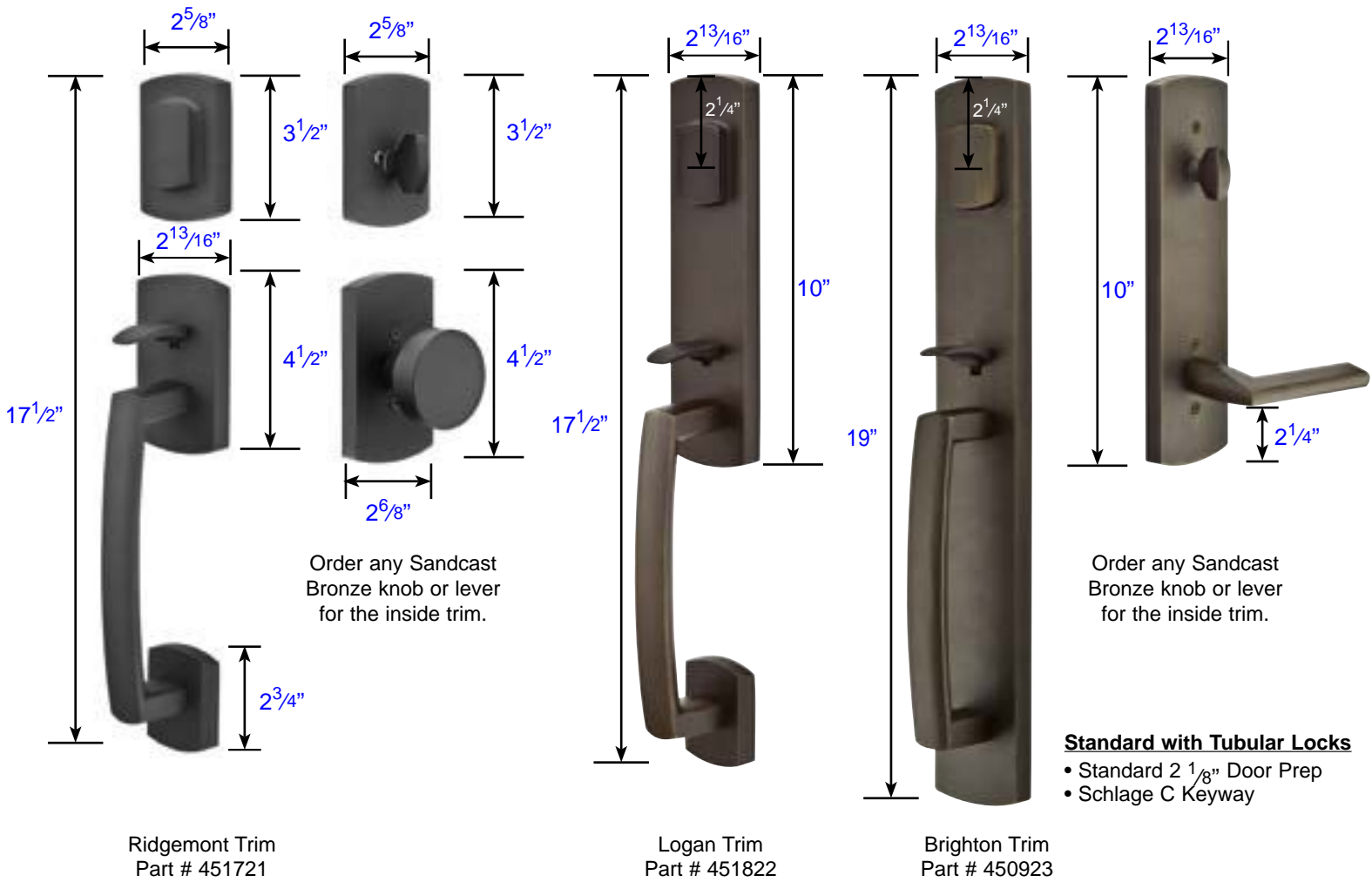
Same Dimensions for Dummy Function



Additional Dimensions: (Part # 4714/4711/4911)

- Exterior Projection is $2\frac{11}{16}$ "
- Interior Projection Depends on Handle Style
- Overall Grip thickness: $1\frac{5}{16}$ "
- Clearance between door & grip is $1\frac{9}{16}$ "
- Plates thickness: $\frac{1}{2}$ "

Same Dimensions for Dummy Function



Additional Dimensions: (Part # xxxxxx)

- Exterior Projection is 3"
- Interior Projection Depends on Handle Style
- Overall Grip thickness: 1 11/16"
- Clearance between door & grip is 1 7/8"
- Standard Interior trim dimensions same as 7100, 8477, 8374
- Plates thickness: 1/2"

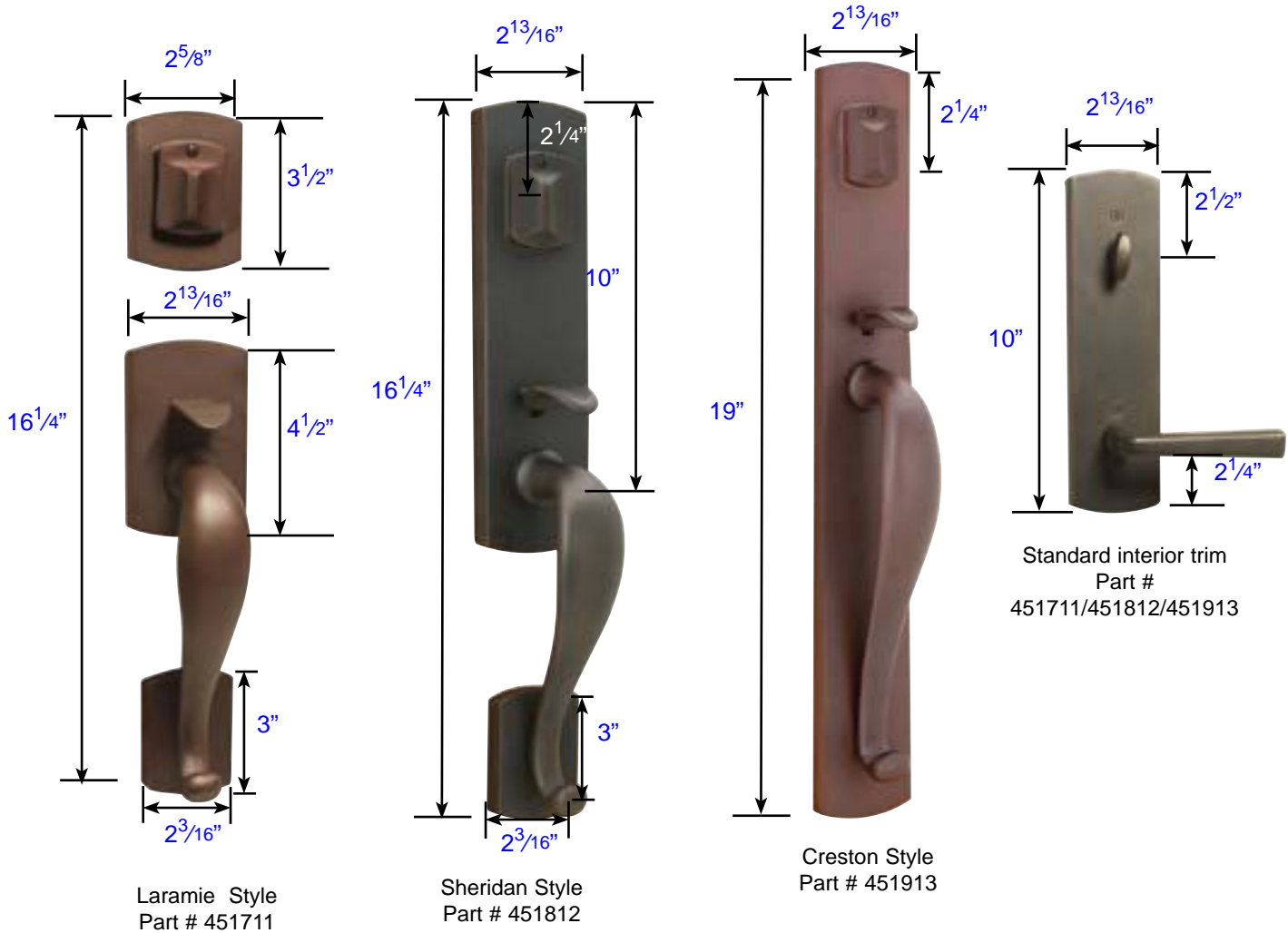
Same Dimensions for Dummy Function

Additional Dimensions: (Part # xxxxxx)

- Exterior Projection is 3"
- Interior Projection Depends on Handle Style
- Overall Grip thickness: 1 11/16"
- Clearance between door & grip is 1 7/8"
- Plates thickness: 1/2"

Same Dimensions for Dummy Function

Dimensions for **Grip-By-Grip Entrance** are the same as the Exterior Trim of standard grip handlesets.



Additional Dimensions: (Part # 451711)

- Exterior Projection is 3"
- Interior Projection Depends on Handle Style
- Overall Grip thickness: 1¹¹/₁₆"
- Clearance between door & grip is 1⁷/₈"
- Standard Interior trim dimensions same as 7100, 8477, 8374
- Plates thickness: 1/2"

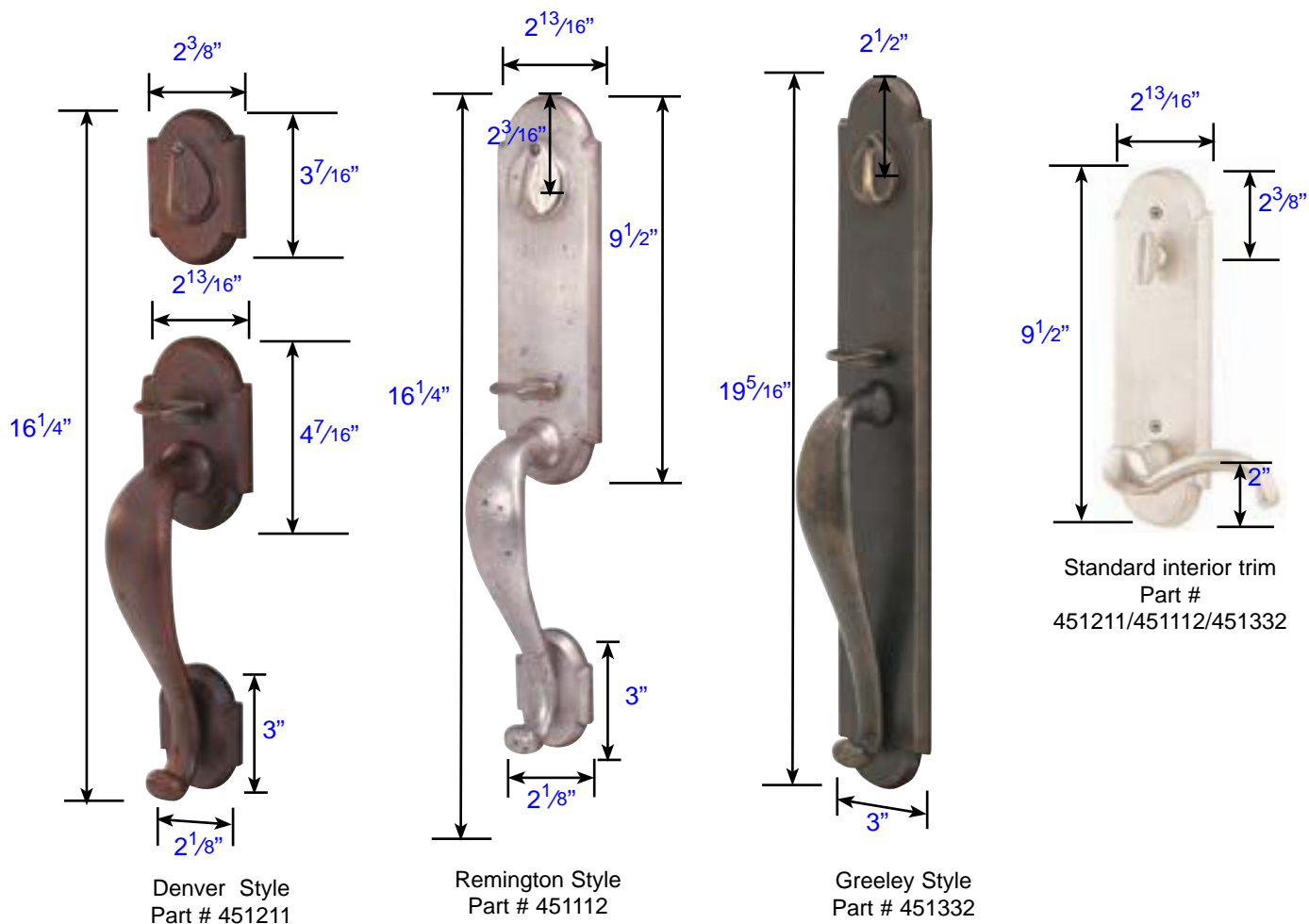
Same Dimensions for Dummy Function

Additional Dimensions: (Part # 451812/451913)

- Exterior Projection is 3"
- Interior Projection Depends on Handle Style
- Overall Grip thickness: 1¹¹/₁₆"
- Clearance between door & grip is 1⁷/₈"
- Plates thickness: 1/2"

Same Dimensions for Dummy Function

Dimensions for **Grip-By-Grip Entrance** are the same as the Exterior Trim of standard grip handlesets.



Additional Dimensions: (Part # 451211)

- Exterior Projection is 3"
- Interior Projection Depends on Handle Style
- Overall Grip thickness: 1¹¹/₁₆"
- Clearance between door & grip is 1⁷/₈"
- Standard Interior trim dimensions same as 8457, 8357, 7108
- Plates thickness: 1/2"

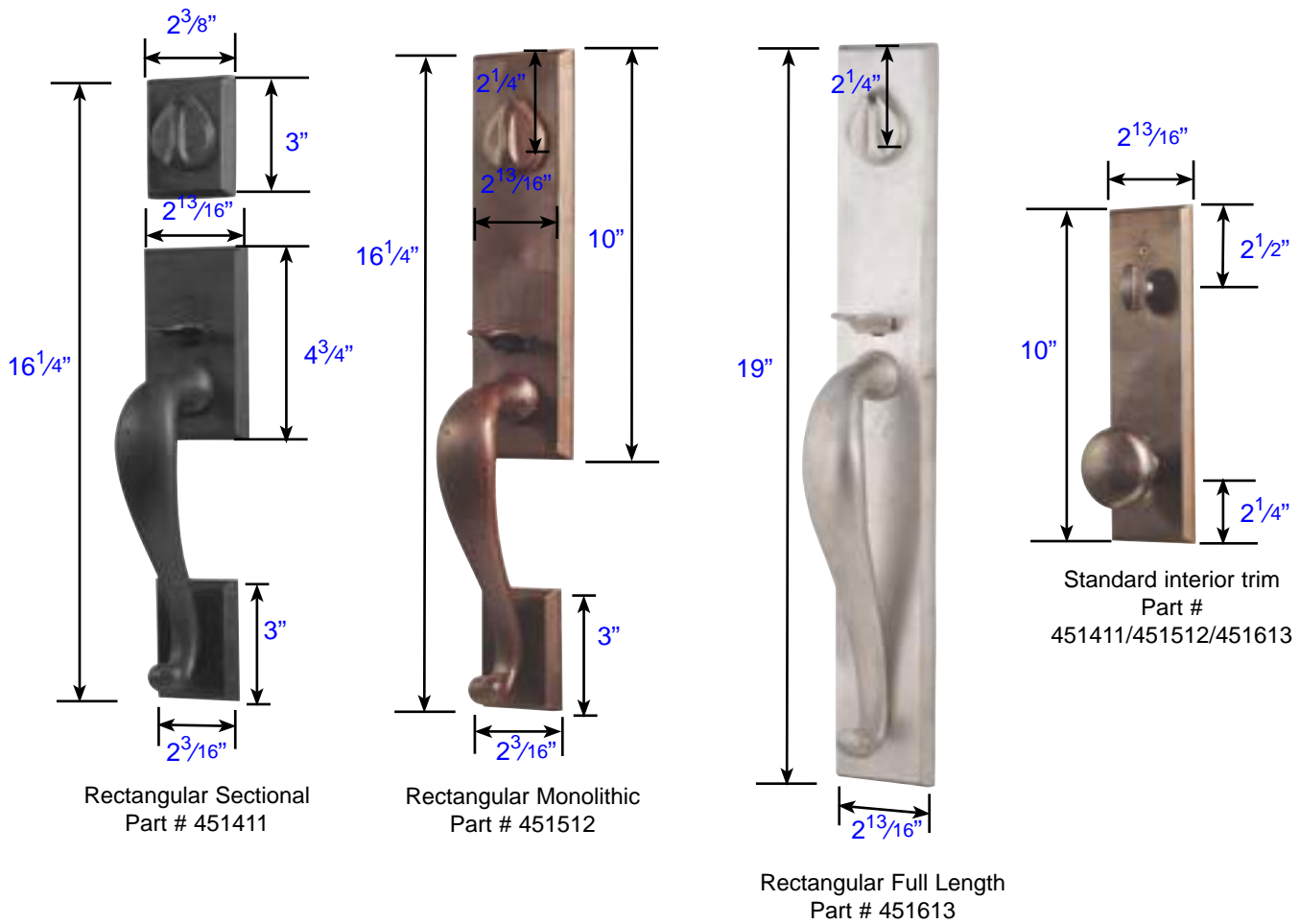
Same Dimensions for Dummy Function

Additional Dimensions: (Part # 451112/451332)

- Exterior Projection is 3"
- Interior Projection Depends on Handle Style
- Overall Grip thickness: 1¹¹/₁₆"
- Clearance between door & grip is 1⁷/₈"
- Plates thickness: 1/2"

Same Dimensions for Dummy Function

Dimensions for **Grip-By-Grip Entrance** are the same as the Exterior Trim of standard grip handlesets.



Additional Dimensions: (Part # 451411)

- Exterior Projection is 3"
- Interior Projection Depends on Handle Style
- Overall Grip thickness: 1¹/₁₆"
- Clearance between door & grip is 1⁷/₈"
- Standard Interior trim dimensions same as 8465, 8365, 7104
- Plates thickness: 1/2"

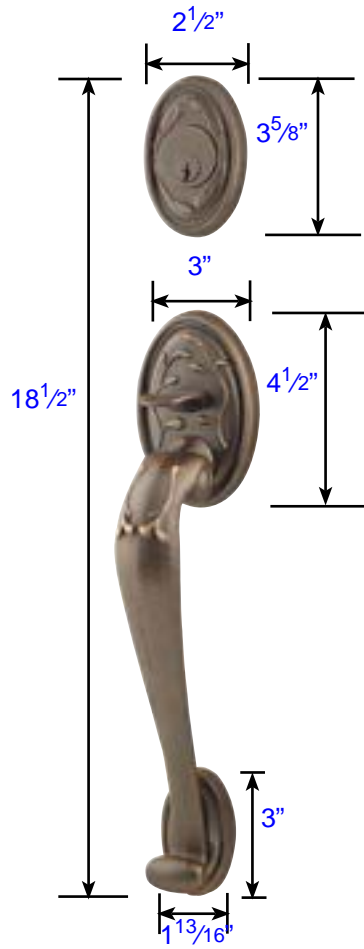
Same Dimensions for Dummy Function

Additional Dimensions: (Part # 451512/451613)

- Exterior Projection is 3"
- Interior Projection Depends on Handle Style
- Overall Grip thickness: 1¹/₁₆"
- Clearance between door & grip is 1⁷/₈"
- Plates thickness: 1/2"

Same Dimensions for Dummy Function

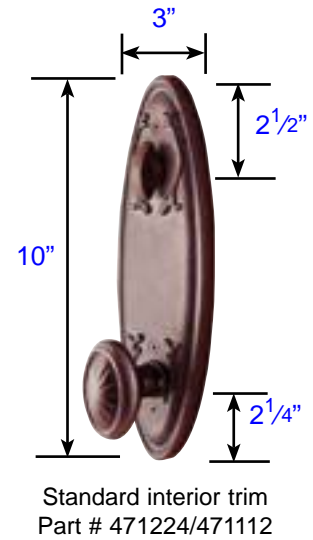
Dimensions for **Grip-By-Grip Entrance** are the same as the Exterior Trim of standard grip handlesets.



Tuscany Sectional Style
Part # 471224



Tuscany Style
Door Prep 5 1/2" Center to Center
Part # 471112



Standard interior trim
Part # 471224/471112

Additional Dimensions: (Part # 471224)

- Exterior Projection is 3³/₃₂"
- Interior Projection Depends on Handle Style
- Overall Grip thickness: 1¹/₁₆"
- Clearance between door & grip is 2³/₈"
- Standard Interior trim dimensions same as 8456, 8356, 71012
- Plates thickness: 1/2"

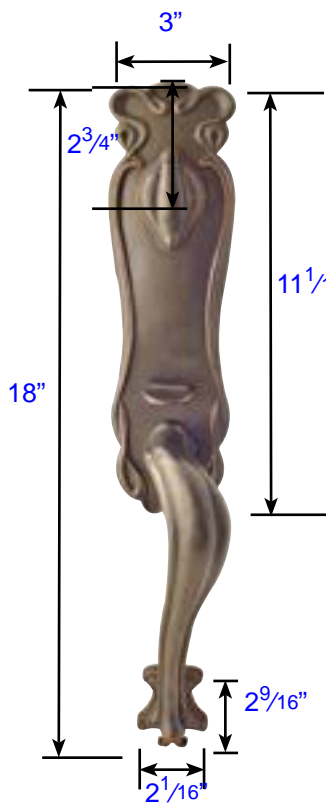
Same Dimensions for Dummy Function

Additional Dimensions: (Part # 471112)

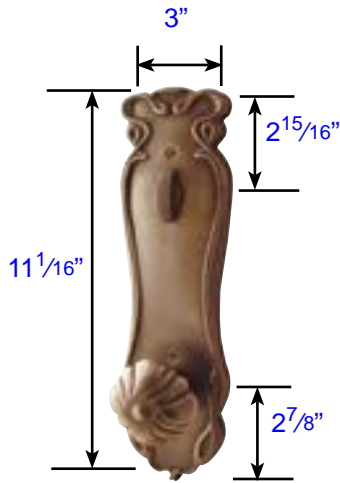
- Exterior Projection is 3³/₃₂"
- Interior Projection Depends on Handle Style
- Overall Grip thickness: 1"
- Clearance between door & grip is 2³/₈"
- Plates thickness: 1/2"

Same Dimensions for Dummy Function

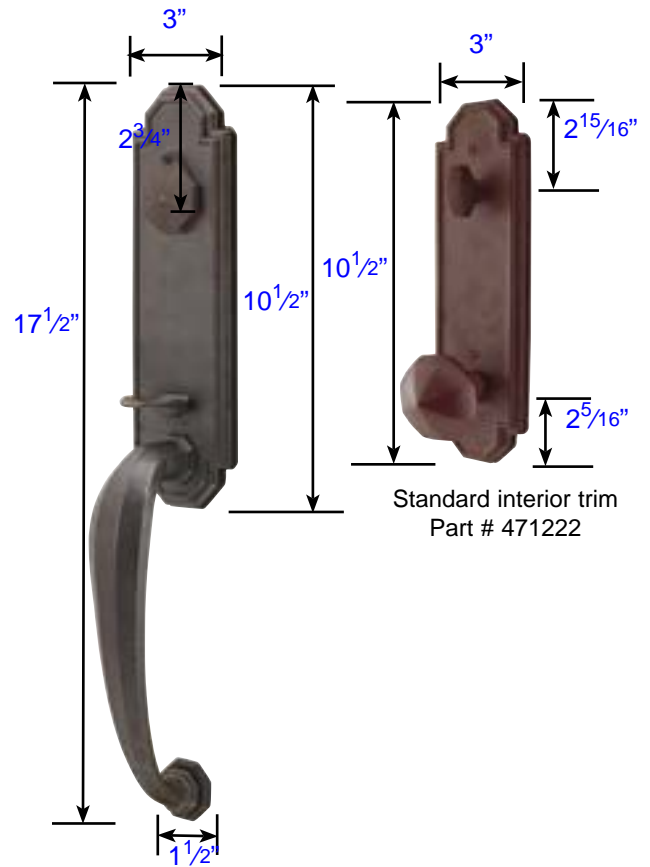
Dimensions for ***Grip-By-Grip Entrance*** are the same as the Exterior Trim of standard grip handlesets.



Art Nouveau Style
Right Hand Grip
Door Prep 5 1/2" Center to Center
Part # 471333



Standard interior trim
Part # 471333



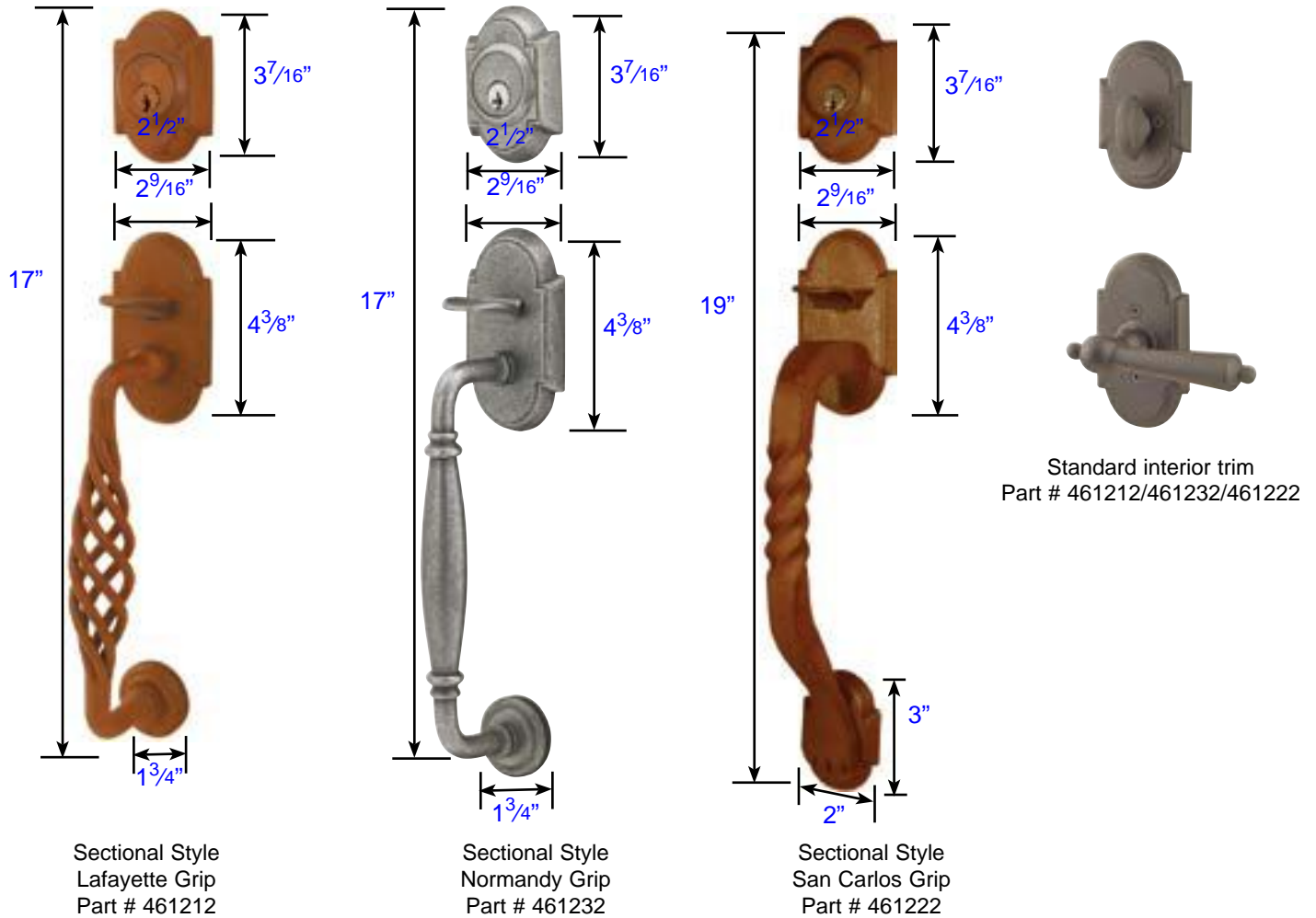
Octagon Style
Door Prep 5 1/2" Center to Center
Part # 471222

Additional Dimensions: (Part # 471333/471222)

- Exterior Projection is 3 1/8"
- Interior Projection Depends on Handle Style
- Overall Grip thickness: 1 3/4"
- Clearance between door & grip is 1 3/4"
- Plates thickness: 1/2"

Same Dimensions for Dummy Function

Dimensions for ***Grip-By-Grip Entrance*** are the same as the Exterior Trim of standard grip handlesets.



Additional Dimensions: (Part # 461212/461232)

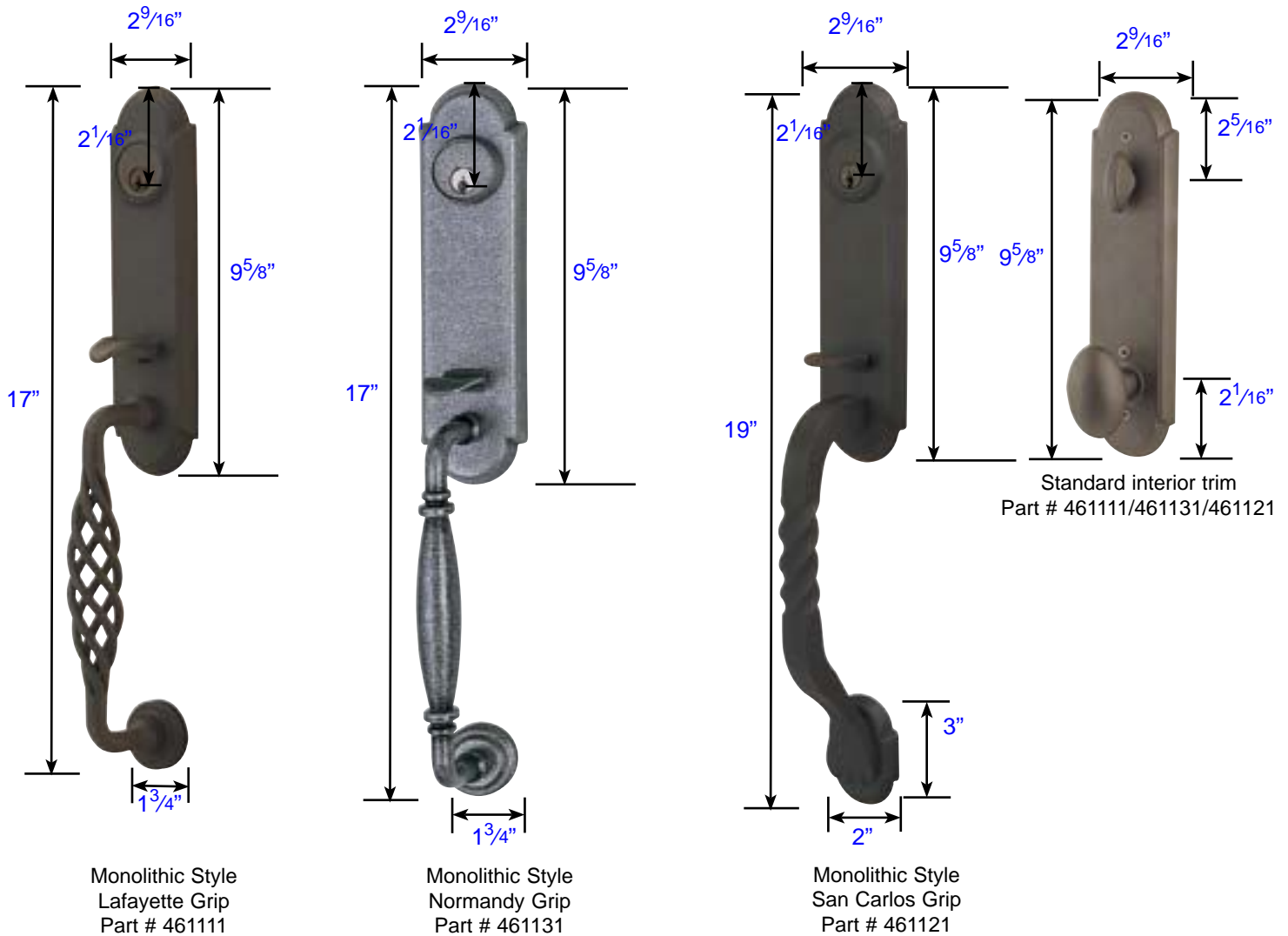
- Exterior Projection is 3"
- Interior Projection Depends on Handle Style
- Overall Grip thickness: 3/4"
- Clearance between door & grip is 1 5/8"
- Standard Interior trim dimensions same as 8451, 8361, 7101
- Plates thickness: 1/2"

Same Dimensions for Dummy Function

Additional Dimensions: (Part # 461222)

- Exterior Projection is 3 1/2"
- Interior Projection Depends on Handle Style
- Overall Grip thickness: 3/4"
- Clearance between door & grip is 2"
- Standard Interior trim dimensions same as 8451, 8361, 7101
- Plates thickness: 1/2"

Same Dimensions for Dummy Function



Additional Dimensions: (Part # 461111/461131)

- Exterior Projection is 3"
- Interior Projection Depends on Handle Style
- Overall Grip thickness: 3/4"
- Clearance between door & grip is 1 5/8"
- Interior trim same as 8451, 8361, 7101
- Plates thickness: 1/2"

Same Dimensions for Dummy Function

Additional Dimensions: (Part # 461121)

- Exterior Projection is 3 1/2"
- Interior Projection Depends on Handle Style
- Overall Grip thickness: 3/4"
- Clearance between door & grip is 2"
- Interior trim same as 8451, 8361, 7101
- Plates thickness: 1/2"

Same Dimensions for Dummy Function

Brass Tubular Entryset Sectional, Single Cylinder

Saratoga (4410), Knoxville (4310), Hamden (4213), Nashville (4312)

<ul style="list-style-type: none"> • Standard Door Thickness: 1³/₄" - 2¹/₈" Standard Components: <ul style="list-style-type: none"> • 1¹/₂" Rosette Screws • Single Cylinder Tailpiece • Outside Entry Spindle • Inside Passage Half Spindle • 2¹/₄" Deadbolt Mounting Screws • Full-Lip Strike Plate • Deadbolt Strike Plate 	<ul style="list-style-type: none"> • Extended Door Thickness: 2¹/₄" - 2⁵/₈" Extended Components: <ul style="list-style-type: none"> • 2" Rosette Screws • Long Single Cylinder Tailpiece • Long Outside Entry Spindle • Long Inside Passage Half Spindle • 3" Deadbolt Mounting Screws • Spindle Extensions • Extended Full-Lip Strike Plate • Deadbolt Strike Plate 	<ul style="list-style-type: none"> • Extended Door Thickness: 2⁵/₈" - 3" Extended Components: <ul style="list-style-type: none"> • 2¹/₂" Rosette Screws • Extra Long Single Cylinder Tailpiece • Long Outside Entry Spindle • Extra Long Inside Passage Half Spindle • 3¹/₂" Deadbolt Mounting Screws • Spindle Extensions • Extended Full-Lip Strike Plate • Deadbolt Strike Plate
---	--	---

Brass Tubular Entryset Sectional, Double Cylinder

Saratoga (4420), Knoxville (4320), Hamden (4223), Nashville (4322)

<ul style="list-style-type: none"> • Standard Door Thickness: 1⁵/₈" - 2¹/₈" Standard Components: <ul style="list-style-type: none"> • 1¹/₂" Rosette Screws • Double Cylinder Tailpiece • Outside Entry Spindle • Inside Passage Half Spindle • 2¹/₄" & 2¹/₂" Deadbolt Mounting Screws • Full-Lip Strike Plate • Deadbolt Strike Plate 	<ul style="list-style-type: none"> • Extended Door Thickness: 2¹/₄" - 2⁵/₈" Extended Components: <ul style="list-style-type: none"> • 2" Rosette Screws • Long Double Cylinder Tailpiece • Long Outside Entry Spindle • Long Inside Passage Half Spindle • 3" Deadbolt Mounting Screws • Spindle Extensions • Extended Full-Lip Strike Plate • Deadbolt Strike Plate 	<ul style="list-style-type: none"> • Extended Door Thickness: 2⁵/₈" - 2⁷/₈" Extended Components: <ul style="list-style-type: none"> • 2¹/₂" Rosette Screws • Extra Long Double Cylinder Tailpiece • Long Outside Entry Spindle • Extra Long Inside Passage Half Spindle • 3¹/₂" Deadbolt Mounting Screws • Spindle Extensions • Extended Full-Lip Strike Plate • Deadbolt Strike Plate
---	--	--

* Part # DB4-COLLAR32 Available for 1³/₈" Thick Doors

Brass Tubular Entryset Monolithic, Single Cylinder

Marietta (4411), Marietta 6" (4412), Orleans (4311), Arts & Crafts (4811), Valley Forge (4111), Wilshire (4211), Melrose (4212), Oval Ribbon & Reed (4714), Ribbon & Reed (4711), Imperial (4911), Zeus (4814), Richmond (4313)

<ul style="list-style-type: none"> • Standard Door Thickness: 1³/₄" - 2¹/₈" Standard Components: <ul style="list-style-type: none"> • 1¹/₂" Rosette Screws • Single Cylinder Tailpiece • Outside Entry Spindle • Inside Passage Half Spindle • 2¹/₄" Deadbolt Mounting Screws • Full-Lip Strike Plate • Deadbolt Strike Plate 	<ul style="list-style-type: none"> • Extended Door Thickness: 2¹/₄" - 2¹/₂" Extended Components: <ul style="list-style-type: none"> • 2" Rosette Screws • Long Single Cylinder Tailpiece • Long Outside Entry Spindle • Long Inside Passage Half Spindle • 3" Deadbolt Mounting Screws • Spindle Extensions • Extended Full-Lip Strike Plate • Deadbolt Strike Plate 	<ul style="list-style-type: none"> • Extended Door Thickness: 2¹/₂" - 3" Extended Components: <ul style="list-style-type: none"> • 2¹/₂" Rosette Screws • Extra Long Single Cylinder Tailpiece • Long Outside Entry Spindle • Extra Long Inside Passage Half Spindle • 3" Deadbolt Mounting Screws • Spindle Extensions • Extended Full-Lip Strike Plate • Deadbolt Strike Plate
---	--	--

Brass Tubular Entryset Monolithic, Double Cylinder

Marietta (4421), Marietta 6" (4422), Orleans (4321), Arts & Crafts (4821), Valley Forge (4121), Wilshire (4221), Melrose (4212), Oval Ribbon & Reed (4724), Ribbon & Reed (4721), Imperial (4921), Zeus (4824), Richmond (4323)

<ul style="list-style-type: none"> • Standard Door Thickness: 1³/₄" - 2" Standard Components: <ul style="list-style-type: none"> • 1¹/₂" Rosette Screws • Double Cylinder Tailpiece • Outside Entry Spindle • Inside Passage Half Spindle • 2¹/₄" Deadbolt Mounting Screws • Full-Lip Strike Plate • Deadbolt Strike Plate 	<ul style="list-style-type: none"> • Extended Door Thickness: 2" - 2⁵/₈" Extended Components: <ul style="list-style-type: none"> • 2" Rosette Screws • Long Double Cylinder Tailpiece • Long Outside Entry Spindle • Long Inside Passage Half Spindle • 3" Deadbolt Mounting Screws • Spindle Extensions • Extended Full-Lip Strike Plate • Deadbolt Strike Plate 	<ul style="list-style-type: none"> • Extended Door Thickness: 2⁵/₈" - 2⁷/₈" Extended Components: <ul style="list-style-type: none"> • 2¹/₂" Rosette Screws • Long Double Cylinder Tailpiece • Long Outside Entry Spindle • Extra Long Inside Passage Half Spindle • 3¹/₂" Deadbolt Mounting Screws • Spindle Extensions • Extended Full-Lip Strike Plate • Deadbolt Strike Plate
--	---	--

* Part # DB4-COLLAR32 Available for 1³/₈" Thick Doors

Cast Bronze Tubular Entryset Sectional, Single Cylinder

Denver (451211), Rectangular Sectional (451411), Tuscany Sectional (471224), Laramie (451711)

- Standard Door Thickness: 1¹/₂"- 2"
- Standard Components:
- 1¹/₂" & 2" Rosette Screws
- Single Cylinder Tailpiece
- Outside Entry Spindle
- Inside Passage Half Spindle
- 2¹/₂" Deadbolt Mounting Screws
- Full-Lip Strike Plate
- Deadbolt Strike Plate

- **Extended** Door Thickness: 2"- 2¹/₂"
- Extended Components:
- 2" Rosette Screws
- Long Single Cylinder Tailpiece
- Long Outside Entry Spindle
- Long Inside Passage Half Spindle
- 3" Deadbolt Mounting Screws
- Spindle Extensions
- Extended Full-Lip Strike Plate
- Deadbolt Strike Plate

- **Extended** Door Thickness: 2¹/₂"- 2⁷/₈"
- Extended Components:
- 2¹/₂" Rosette Screws
- Extra Long Single Cylinder Tailpiece
- Long Outside Entry Spindle
- Extra Long Inside Passage Half Spindle
- 3¹/₂" Deadbolt Mounting Screws
- Spindle Extensions
- Extended Full-Lip Strike Plate
- Deadbolt Strike Plate

Cast Bronze Tubular Entryset Sectional, Double Cylinder

Denver (452211), Rectangular Sectional (452411), Tuscany Sectional (472224), Laramie (452711)

- Standard Door Thickness: 1³/₄"- 2"
- Standard Components:
- 1¹/₂" Rosette Screws
- Double Cylinder Tailpiece
- Outside Entry Spindle
- Inside Passage Half Spindle
- 2¹/₂" Deadbolt Mounting Screws
- Full-Lip Strike Plate
- Deadbolt Strike Plate

- **Extended** Door Thickness: 2¹/₄"- 2⁵/₈"
- Extended Components:
- 2" & 2¹/₂" Rosette Screws
- Long Double Cylinder Tailpiece
- Long Outside Entry Spindle
- Long Inside Passage Half Spindle
- 3" & 3¹/₂" Deadbolt Mounting Screws
- Spindle Extensions
- Extended Full-Lip Strike Plate
- Deadbolt Strike Plate

Cast Bronze Tubular Entryset Monolithic, Single Cylinder

Remington (451112), Greeley (451332), Rectangular Monolithic (451512), Sheridan (451812)

Rectangular Full Length (451613), Tuscany (471112), Art Nouveau (471333), Octagon (471222), Creston (451913)

- Standard Door Thickness: 1¹/₂"- 2"
- Standard Components:
- 1¹/₂" & 2" Rosette Screws
- Single Cylinder Tailpiece
- Outside Entry Spindle
- Long Inside Passage Half Spindle
- 2¹/₂" Deadbolt Mounting Screws
- Full-Lip Strike Plate
- Deadbolt Strike Plate

- **Extended** Door Thickness: 2"- 2¹/₂"
- Extended Components:
- 2" Rosette Screws
- Long Single Cylinder Tailpiece
- Long Outside Entry Spindle
- Long Inside Passage Half Spindle
- 3" Deadbolt Mounting Screws
- Spindle Extensions
- Extended Full-Lip Strike Plate
- Deadbolt Strike Plate

- **Extended** Door Thickness: 2¹/₂"- 2⁷/₈"
- Extended Components:
- 2¹/₂" Rosette Screws
- Extra Long Single Cylinder Tailpiece
- Long Outside Entry Spindle
- Extra Long Inside Passage Half Spindle
- 3¹/₂" Deadbolt Mounting Screws
- Spindle Extensions
- Extended Full-Lip Strike Plate
- Deadbolt Strike Plate

Cast Bronze Tubular Entryset Monolithic, Double Cylinder

Remington (452112), Greeley (452332), Rectangular Monolithic (452512), Sheridan (452812)

Rectangular Full Length (452613), Tuscany (472112), Art Nouveau (472333), Octagon (472222), Creston (452913)

- Standard Door Thickness: 1³/₄"- 2"
- Standard Components:
- 1¹/₂" Rosette Screws
- Double Cylinder Tailpiece
- Outside Entry Spindle
- Long Inside Passage Half Spindle
- 2¹/₂" Deadbolt Mounting Screws
- Full-Lip Strike Plate
- Deadbolt Strike Plate

- **Extended** Door Thickness: 2"- 2⁵/₈"
- Extended Components:
- 2" & 2¹/₂" Rosette Screws
- Long Double Cylinder Tailpiece
- Long Outside Entry Spindle
- Long Inside Passage Half Spindle
- 3" & 3¹/₂" Deadbolt Mounting Screws
- Spindle Extensions
- Extended Full-Lip Strike Plate
- Deadbolt Strike Plate

Wrought Steel Tubular Entryset Sectional, Single Cylinder

Lafayette (461212), San Carlos (461222), Normandy (461232)

- Standard Door Thickness: 1⁵/₈"- 2"
- Standard Components:
 - 1¹/₂" Rosette Screws
 - Single Cylinder Tailpiece
 - Outside Entry Spindle
 - Inside Passage Half Spindle
 - 2¹/₄" Deadbolt Mounting Screws
 - Full-Lip Strike Plate
 - Deadbolt Strike Plate

- **Extended** Door Thickness: 2"- 2¹/₂"
- Extended Components:
 - 2" Rosette Screws
 - Long Single Cylinder Tailpiece
 - Long Outside Entry Spindle
 - Long Inside Passage Half Spindle
 - 3" Deadbolt Mounting Screws
 - Spindle Extensions
 - Extended Full-Lip Strike Plate
 - Deadbolt Strike Plate

- **Extended** Door Thickness: 2¹/₂"- 2⁷/₈"
- Extended Components:
 - 2¹/₂" Rosette Screws
 - Extra Long Single Cylinder Tailpiece
 - Long Outside Entry Spindle
 - Extra Long Inside Passage Half Spindle
 - 3¹/₂" Deadbolt Mounting Screws
 - Spindle Extensions
 - Extended Full-Lip Strike Plate
 - Deadbolt Strike Plate

Wrought Steel Tubular Entryset Sectional, Double Cylinder

Lafayette (462212), San Carlos (462222), Normandy (462232)

- Standard Door Thickness: 1¹/₂"- 2"
- Standard Components:
 - 1¹/₂" Rosette Screws
 - Double Cylinder Tailpiece
 - Outside Entry Spindle
 - Inside Passage Half Spindle
 - 2¹/₄" Deadbolt Mounting Screws
 - Full-Lip Strike Plate
 - Deadbolt Strike Plate

- **Extended** Door Thickness: 2"- 2⁵/₈"
- Extended Components:
 - 2" Rosette Screws
 - Long Double Cylinder Tailpiece
 - Long Outside Entry Spindle
 - Long Inside Passage Half Spindle
 - 3" Deadbolt Mounting Screws
 - Spindle Extensions
 - Extended Full-Lip Strike Plate
 - Deadbolt Strike Plate

- **Extended** Door Thickness: 2⁵/₈"- 2⁷/₈"
- Extended Components:
 - 2¹/₂" Rosette Screws
 - Extra Long Double Cylinder Tailpiece
 - Long Outside Entry Spindle
 - Extra Long Inside Passage Half Spindle
 - 3¹/₂" Deadbolt Mounting Screws
 - Spindle Extensions
 - Extended Full-Lip Strike Plate
 - Deadbolt Strike Plate

Wrought Steel Tubular Entryset Monolithic, Single Cylinder

Lafayette (461111), San Carlos (461121), Normandy (461131)

- Standard Door Thickness: 1³/₄"- 2¹/₈"
- Standard Components:
 - 1¹/₂" Rosette Screws
 - Single Cylinder Tailpiece
 - Outside Entry Spindle
 - Inside Passage Half Spindle
 - 2¹/₄" Deadbolt Mounting Screws
 - Full-Lip Strike Plate
 - Deadbolt Strike Plate

- **Extended** Door Thickness: 2¹/₄"- 2¹/₂"
- Extended Components:
 - 2" Rosette Screws
 - Long Single Cylinder Tailpiece
 - Long Outside Entry Spindle
 - Long Inside Passage Half Spindle
 - 2¹/₂" Deadbolt Mounting Screws
 - Spindle Extensions
 - Extended Full-Lip Strike Plate
 - Deadbolt Strike Plate

- **Extended** Door Thickness: 2¹/₂"- 3"
- Extended Components:
 - 2¹/₂" Rosette Screws
 - Extra Long Single Cylinder Tailpiece
 - Long Outside Entry Spindle
 - Extra Long Inside Passage Half Spindle
 - 3" Deadbolt Mounting Screws
 - Spindle Extensions
 - Extended Full-Lip Strike Plate
 - Deadbolt Strike Plate

Wrought Steel Tubular Entryset Monolithic, Double Cylinder

Lafayette (462111), San Carlos (462121), Normandy (462131)

- Standard Door Thickness: 1³/₄"- 2"
- Standard Components:
 - 1¹/₂" Rosette Screws
 - Double Cylinder Tailpiece
 - Outside Entry Spindle
 - Inside Passage Half Spindle
 - 2¹/₄" Deadbolt Mounting Screws
 - Full-Lip Strike Plate
 - Deadbolt Strike Plate

- **Extended** Door Thickness: 2"- 2⁵/₈"
- Extended Components:
 - 2" Rosette Screws
 - Long Double Cylinder Tailpiece
 - Long Outside Entry Spindle
 - Long Inside Passage Half Spindle
 - 3" Deadbolt Mounting Screws
 - Spindle Extensions
 - Extended Full-Lip Strike Plate
 - Deadbolt Strike Plate

Grip-By-Grip Tubular Entryset, Single Cylinder

Denver(453212), Remington(453111), Greeley(453333), Rectangular Sectional(453414), Rectangular Monolithic(453515), Rectangular Full Length(453636), Tuscany Sectional(473444), Tuscany(473111), Octagon(473222), Art Nouveau-LH(473333LH), Art Nouveau-RH(473333RH)

- Standard Door Thickness: 1⁵/₈ 2¹/₈
- Standard Components:
 - 1¹/₂ & 2 Rosette Screws
 - Single Cylinder Tailpiece
 - Outside Entry Spindle
 - Inside Passage Half Spindle
 - 2¹/₂ Deadbolt Mounting Screws
 - Full-Lip Strike Plate
 - Deadbolt Strike Plate

- Extended** Door Thickness: 2 2¹/₂ 3
- Extended Components:
 - 2 & 2¹/₂ Rosette Screws
 - Long Single Cylinder Tailpiece
 - Long Outside Entry Spindle
 - 3 Deadbolt Mounting Screws
 - Extended Full-Lip Strike Plate
 - Deadbolt Strike Plate

- Extended** Door Thickness: 2¹/₂ 3 3
- Extended Components:
 - 2¹/₂ & 3 Rosette Screws
 - Extra Long Single Cylinder Tailpiece
 - Long Outside Entry Spindle
 - 3¹/₂ Deadbolt Mounting Screws
 - Extended Full-Lip Strike Plate
 - Deadbolt Strike Plate

Grip-By-Grip Tubular Entryset, Double Cylinder

Denver(454212), Remington(454111), Greeley(454333), Rectangular Sectional(454414), Rectangular Monolithic(454515), Rectangular Full Length(454636), Tuscany Sectional(474444), Tuscany(474111), Octagon(474222), Art Nouveau-LH(474333LH), Art Nouveau-RH(474333RH)

- Standard Door Thickness: 1⁵/₈ 2¹/₈ 2¹/₈
- Standard Components:
 - 1¹/₂ Rosette Screws
 - Double Cylinder Tailpiece
 - Outside Entry Spindle
 - 2¹/₂ & 3 Deadbolt Mounting Screws
 - Full-Lip Strike Plate
 - Deadbolt Strike Plate

- Extended** Door Thickness: 2¹/₈ 3 3
- Extended Components:
 - 2¹/₂ & 3 Rosette Screws
 - Long Double Cylinder Tailpiece
 - Long Outside Entry Spindle
 - 3 & 3¹/₂ Deadbolt Mounting Screws
 - Extended Full-Lip Strike Plate
 - Deadbolt Strike Plate

Face and Strike Plates

Deadbolt Strike Plates

