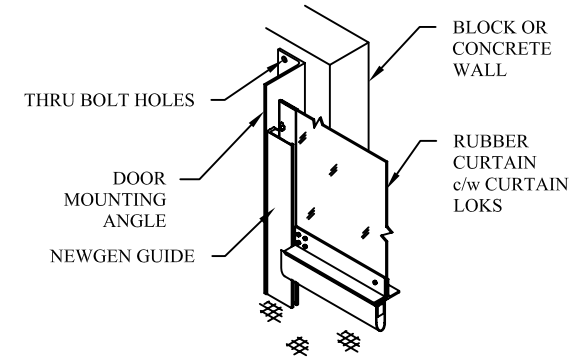


NEWGEN GUIDE AND CURTAIN LOK SYSTEM STEEL JAMB MOUNTING



NEWGEN GUIDE AND CURTAIN LOK SYSTEM CONCRETE WALL MOUNTING **

** CLEARANCE DIMENSION IS 12" FOR CONCRETE MOUNT CONFIGURATION
 *** OPTIONAL HOODS REQUIRE 14" & 18" SIDEROOM, 40" HEADROOM AND 38" OPERATOR PROTRUSION

TNR INDUSTRIAL DOORS INC.

SHOP DRAWING, MODEL HDL45, LEFT HAND

MECHANICAL OPTIONS	ELECTRICAL OPTIONS	STANDARD SYSTEM INCLUDES
<input type="checkbox"/> - GUIDE MOUNTED WINDBAR	<input type="checkbox"/> - RELAY LOGIC CONTROLS	- SPEEDS UP TO 20 IPS
<input type="checkbox"/> - JAMB MOUNTED WINDBAR	<input type="checkbox"/> - RELAY LOGIC c/w TIMER TO CLOSE	- NEMA 4, WALL MOUNTED CONTROL PANEL
<input type="checkbox"/> - GUIDE GUARDS	<input type="checkbox"/> - FUSED DISCONNECT	- NEMA 4 LIMIT BOX ON OPERATOR
<input type="checkbox"/> - *** EXTERIOR HOODS	<input type="checkbox"/> - LOOP DETECTOR	- 50,000 CYCLE COUNTERBALANCE SPRINGS
<input type="checkbox"/> - *** SAFETY CHAIN GUARDS	<input type="checkbox"/> - WIRELESS RECEIVER	- REVERSING EDGE
<input type="checkbox"/> - 16" x 16" WINDOWS, QTY. _____	<input type="checkbox"/> - WIRELESS TRANSMITTER, QTY. _____	- THRU-BEAM PHOTOSWITCH
<input type="checkbox"/> - BLUE EPDM CURTAIN	<input type="checkbox"/> - N 4X, PUSHBUTTON ST'N, QTY. _____	- 5" HIGH, BLACK EPDM RUBBER LOOP
<input type="checkbox"/> - GRAY EPDM CURTAIN	<input type="checkbox"/> - MOTION DETECTOR, QTY. _____	- KNOCK-AWAY STYLE BOTTOM BAR
<input type="checkbox"/> -	<input type="checkbox"/> - THRU-BEAM PHOTOSWITCH, QTY. _____	- NEWGEN GUIDE AND CURTAIN LOK SYSTEM
<input type="checkbox"/> -	<input type="checkbox"/> - REFLECTIVE PHOTOSWITCH, QTY. _____	- 90 MPH WINDLOAD RATING
<input type="checkbox"/> -	<input type="checkbox"/> -	- PROGRAMMABLE CONTROLLER (PLC)
<input type="checkbox"/> -	<input type="checkbox"/> -	- INTEGRATED TIMER TO CLOSE (ADJUSTABLE)

EXT. DETAIL: DOOR MOUNT OPERATOR & C'BAL SPRINGS	
LIMITATIONS: [20' < OW =< 25' & 20' < OH =< 30'] OR [25' < OW =< 30' & OH < 20']	
DATE DR'N: MAR. 21, 2006	REVISION: REL
DRAWN BY: BRYAN AWREY	DRAWING No.: D-600-0029
ELECTRICAL CRITERIA:	
CONTROL PANEL NEMA/EEMAC 4 STD. OR _____	
PRIMARY POWER SUPPLY: _____ Volts, 3 Phase, 60 Hertz	
OPERATOR CRITERIA: HG, HIGH EFFICIENCY HELICAL GEAR	
LIMIT BOX NEMA/EEMAC 4 STD. OR _____	
_____ HP, DOOR SPEED: OPEN & CLOSE @ _____ ips	
END USER:	
DEALER:	
DOOR SIZE:	SERIAL No.: TNR-