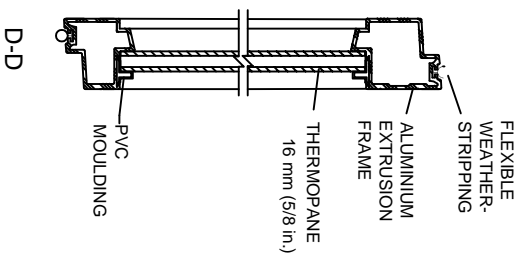
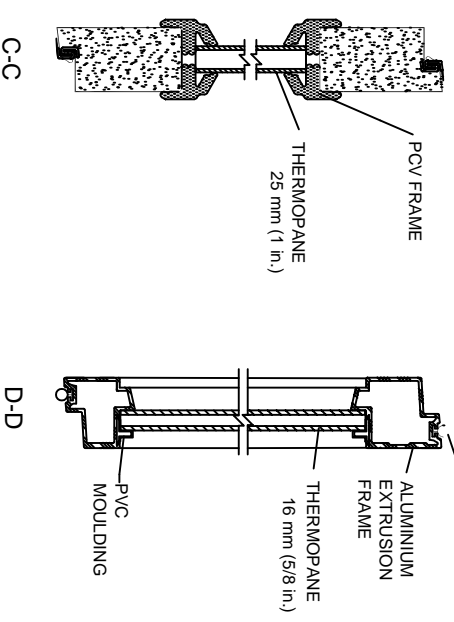
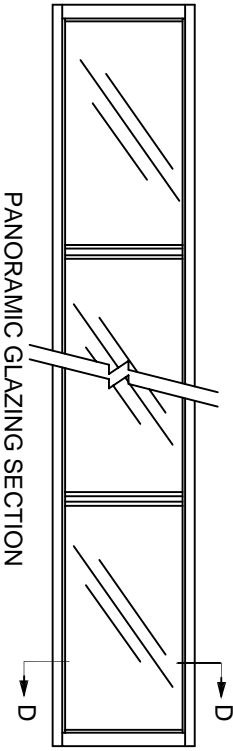
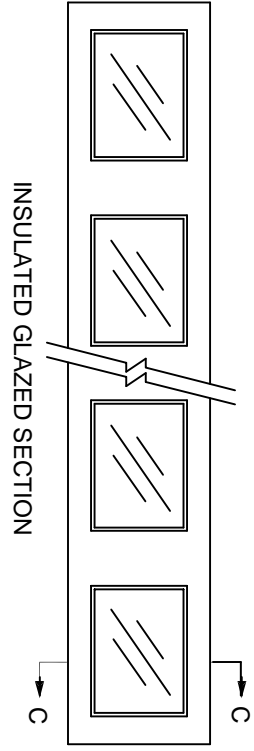


Door model : G2000
 Thickness: 45mm (1-3/4")
 RSI : 2.82 (R16)
 Exterior finishing : 23 ga. Steel
 Interior finishing : 23 ga. Steel
 Finish : Smooth
 Exterior colour :
 Interior colour :



# DOOR	QTY	WIDTH	HEIGHT	NB OF SECTION	NB OF GLAZED SECTION	MODEL	QTY PANES	SIZES		OPERATION
								WIDTH	HEIGHT	

GLAZED SECTIONS

OPERATION

OPTIONS

PAGE : 1 OF 2

GARAGA INC.

OVERHEAD GARAGE DOOR
G-2000, TOP-TECH DOOR (STEEL)

PROJECT: _____

DISTRIB. : _____

ARCHITECT : _____

CONTRACTOR : _____

DATE : _____