

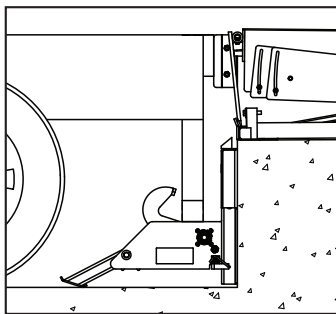
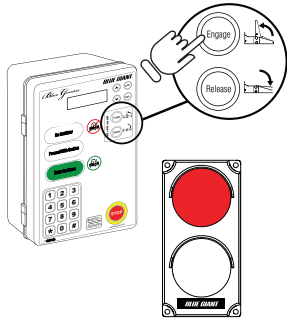
# OPERATING INSTRUCTIONS

Only for the StrongArm™ HVR303 Vehicle Restraint

A

MENU DISPLAY SCREEN

Engaging...



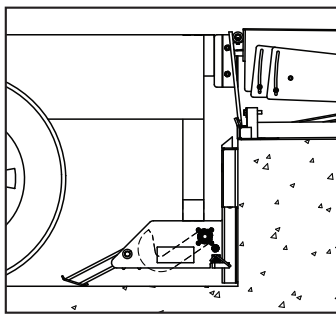
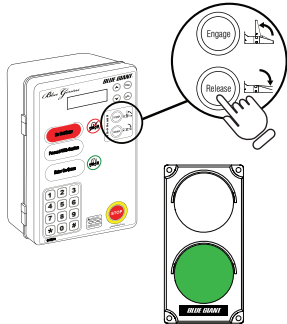
## ENGAGE RESTRAINT

1. Open the overhead door and visually confirm that the vehicle has an ICC bar and that it is aligned and in range of the restraint arm. The control panel light is RED and the traffic light is GREEN.
2. Touch the 'Engage' button. The arm will rotate from the home position to secure the ICC bar and the LCD screen will read "Restraint Engaging." The traffic light will turn RED and the control panel light will remain RED. When the ICC bar is secured, the LCD screen will read "Restraint is Engaged," followed by "Dock Leveler Restored" and "Ready to Raise Deck." After the deck is deployed onto the truck bed, the control panel light will turn GREEN.

B

MENU DISPLAY SCREEN

Restraint Releasing...

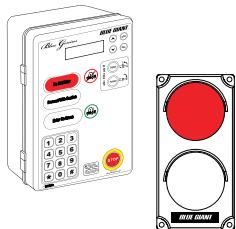


## DISENGAGE RESTRAINT

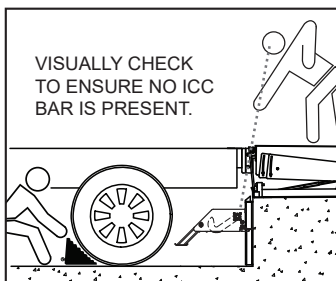
1. After the dock leveler is safely parked, touch the 'Release' button to disengage the vehicle restraint. The control panel light will change to RED and the LCD screen will read "Restraint Releasing." When the arm reaches the home position, the LCD screen will read "Blue Genius Ready" and the traffic light will turn GREEN.

**NOTE:** If the restraint arm was not properly parked, the LCD screen will read "Arm Blocked." Consult the Troubleshooting section of the manual.

C



VISUALLY CHECK TO ENSURE NO ICC BAR IS PRESENT.

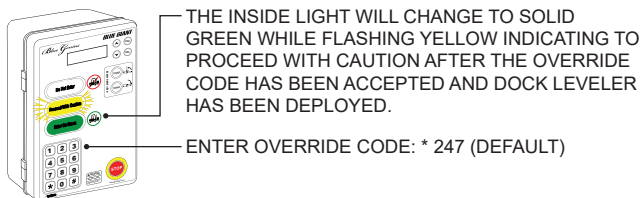


## VEHICLE RESTRAINT OVERRIDE

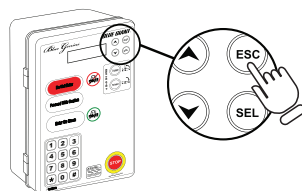
1. Touch the 'Engage' button. If a vehicle's ICC bar is absent or cannot be engaged, the LCD screen will read "ICC Bar Not in Range." A visual inspection is now necessary to determine whether the vehicle needs to be realigned or if wheel chocks are necessary. The control panel light and traffic light are both RED.
2. Press the \* key on the keypad. The LCD screen will read "Enter Code \_\_\_\_." Enter the factory set default supervisor code 247 (**NOTE:** this code can be changed. Please call your Blue Giant distributor for further information) the LCD screen will read "Dock Leveler Restored" and then "Ready to Deploy Deck," followed by "Restraint Is Bypassed." Once the deck is deployed and home sensor becomes inactive, the control panel light will turn GREEN while flashing YELLOW.
3. When work has been completed, store the dock leveler. Then touch the 'Release' button on the control panel. The control panel light will turn RED, warning dock staff that the vehicle is no longer accessible. The outside traffic light will turn GREEN, advising the truck driver that it is safe to depart once the wheel chocks are removed.

MENU DISPLAY SCREEN

Restraint is Bypassed



D



## STOP PROCEDURE

1. Touching the 'STOP' button during operation will cut power to the restraint. If the arm is in mid-travel, it will lower to a hard stop via gravity. To exit the 'STOP' mode touch 'ESC.'