

# HDL-DD

## Heavy Duty Large Doors

### DIRECT DRIVE SPRINGLESS



TNR® combines rugged durability with high performance drive systems specifically for large openings. Rubber roll-up doors are built for demanding industrial and commercial applications for:

#### **HARSH ENVIRONMENTS**

dirt, dust, rain, snow, temperature

#### **HIGH TRAFFIC**

and continual process flow demands

#### **DOOR IMPACT CONCERNS**

moving lift trucks, heavy equipment

#### **HIGH WINDLOAD & PRESSURE DIFFERENTIAL**

caused by exterior wind & positive pressure work environments



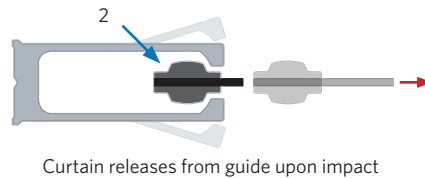
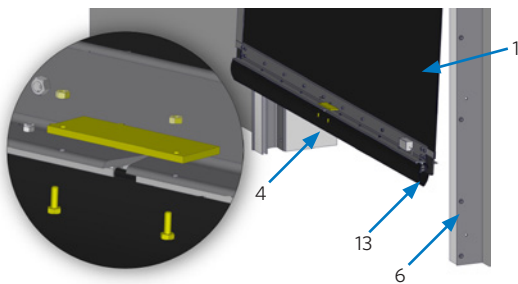
***Tough 'n' Ready  
For Your Challenging  
Environments***

# DIRECT DRIVE SPRINGLESS DOORS

For Large Openings in: manufacturing, automotive, food processing, bus transit stations, postal distribution, airports and railways

Door models: HDL23-DD, HDL45-DD

Mechanical Feature	Description	Benefit
1 <b>Rubber Curtain Material</b> Limited Lifetime Warranty	1/4" thick SBR rubber with polyester core weave reinforcement. Standard Black. Optional Grey, Blue EPDM rubber.	- Durable, flexible and resistant to harsh environments and impacts in temperatures from -40°F to 180°F
2 <b>NEWGEN® Guide and Curtain Lok™ System</b> Limited Lifetime Warranty	Patented curtain retention system that releases upon impact for safety and low maintenance	- Reliable and consistent door operation, withstand repeated impacts - Quick to repair and reset, no guide gap maintenance required
3 <b>Door Size - W x H</b>	HDL23-DD - from 8' x 30' up to 25' x 20' HDL45-DD - from 21' x 27' up to 30' x 17'	- Offers a lower maintenance, affordable alternative to standard sectional doors for loading dock openings
4 <b>Knock-away Bottom Bar &amp; Loop Seal</b>	Double-angle steel design with knock-away plate and EPDM rubber loop	- After impact door is easily reset with standard fasteners - Large rubber loop seals to uneven floors
5 <b>Endplate &amp; Mounting Angles</b>	Simply designed support structures to accommodate easy and versatile installation	- Reduces installation cost and minimal clearances required around door opening - Reduces maintenance costs
6 <b>Self Supporting Frame</b>	Steel mounting angles, pre-drilled and painted	- Allows for quick and easy installation of door system
7 <b>Mechanical Options</b>	Colours, windows, Front/top hoods, traveling windbar, guide guards, MSHA-rated self-extinguishing curtain	- Customize for environment, safety and convenience

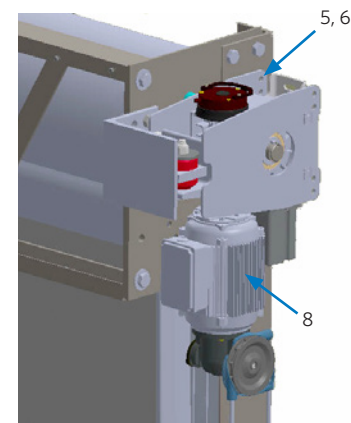


Curtain releases from guide upon impact



10, 12

Electrical Feature	Description	Benefit
8 <b>HDL-DD Direct Drive System</b> Warranty 5 years or 1 million cycles	Heavy Duty Gear Head Direct Drive Operator includes operator and gearbox with integrated safety brake. Variable Frequency Drive (VFD) integrated with control panel.	- Motor and gearbox design eliminates need for counterbalance springs - Reliable, maintenance free safety brake - Smooth, quiet operation with soft-start/soft-stop
9 <b>Open/Close Door Speeds</b>	HDL23-DD up to 48/30 inches per second HDL45-DD up to 24/24 inches per second	- Fast door operation reduces HVAC costs - Increases productivity of operations
10 <b>Control Panel</b>	Multi-function capacity PLC with VFD for soft-start/soft-stop. NEMA 4 metal enclosure, wall mount.	- Easy standard setup, reliable operation, Easy troubleshooting - Panel mounted door control buttons, E-stop and rotary disconnect
11 <b>Photo Eyes</b>	Guide-mounted through-beam photoelectric sensor	- Reliable standard safety feature that reverses door travel if obstructed
12 <b>Plug and Play cable system</b> (optional)	Cabling and connectors at control panel and operator	- Provides quick and easy installation, setup and maintenance of door system
13 <b>Reversing Edge</b>	Pressure sensitive, wireless connection	- Reliable standard safety, easy installation, low maintenance
14 <b>Activation Options</b>	Remote controls, pull cords, loop & motion detectors and more	- Accommodates a wide range of applications - Added safety and convenience of use



Toll-free 1-866-792-9968

info@tnrdoors.com

TNRdoors.com

