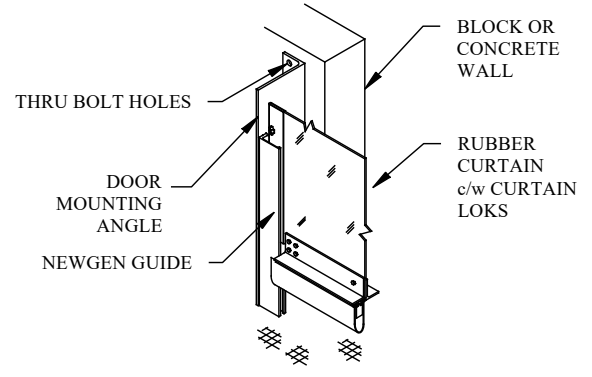


NEWGEN GUIDE AND CURTAIN LOK SYSTEM STEEL JAMB MOUNTING



NEWGEN GUIDE AND CURTAIN LOK SYSTEM CONCRETE WALL MOUNTING **

** CLEARANCE DIMENSION IS 8" FOR CONCRETE MOUNT CONFIGURATION
 *** OPTIONAL HOODS REQUIRE 10" & 16" SIDEROOM, 40" HEADROOM AND 38" OPERATOR PROTRUSION

TNR INDUSTRIAL DOORS INC.	
SHOP DRAWING, MODEL HDL23, LEFT HAND	
EXT. DETAIL: DOOR MOUNT OPERATOR & C'BAL SPRINGS	
LIMITATIONS: [OW ≤ 20' & 20' < OH ≤ 30'] OR [20' < OW ≤ 25' & OH ≤ 20']	
DATE DR'N: MAR. 15, 2006	REVISION: E - SEP. 29, 2020
DRAWN BY: BRYAN AWREY	DRAWING No.: D-600-0027
ELECTRICAL CRITERIA:	
CONTROL PANEL NEMA/EEMAC 4 STD.	
PRIMARY POWER SUPPLY: _____ Volts, 3 Phase, 60 Hertz	
OPERATOR CRITERIA: HG, HIGH EFFICIENCY HELICAL GEAR	
LIMIT BOX NEMA/EEMAC 4 STD.	
3.25 HP, DOOR SPEED: OPEN & CLOSE UP TO ips	
END USER:	
DEALER:	
DOOR SIZE:	SERIAL No.: TNR-

MECHANICAL OPTIONS	ELECTRICAL OPTIONS	STANDARD SYSTEM INCLUDES
<input type="checkbox"/> - GUIDE MOUNTED WINDBAR	<input type="checkbox"/> - RELAY LOGIC CONTROLS	- SPEEDS UP TO 20 IPS
<input type="checkbox"/> - JAMB MOUNTED WINDBAR	<input type="checkbox"/> - RELAY LOGIC c/w TIMER TO CLOSE	- NEMA 4, WALL MOUNTED CONTROL PANEL
<input type="checkbox"/> - GUIDE GUARDS	<input type="checkbox"/> - FUSED DISCONNECT	- NEMA 4 LIMIT BOX ON OPERATOR
<input type="checkbox"/> - *** EXTERIOR HOODS	<input type="checkbox"/> - LOOP DETECTOR	- 50,000 CYCLE COUNTERBALANCE SPRINGS
<input type="checkbox"/> - *** SAFETY CHAIN GUARDS	<input type="checkbox"/> - WIRELESS RECEIVER	- WIRELESS REVERSING EDGE
<input type="checkbox"/> - 16" x 16" WINDOWS, QTY. _____	<input type="checkbox"/> - WIRELESS TRANSMITTER, QTY. _____	- THRU-BEAM PHOTOSWITCH
<input type="checkbox"/> - BLUE EPDM CURTAIN	<input type="checkbox"/> - N 4X, PUSHBUTTON ST'N, QTY. _____	- 5" HIGH, BLACK EPDM RUBBER LOOP
<input type="checkbox"/> - GRAY EPDM CURTAIN	<input type="checkbox"/> - MOTION DETECTOR, QTY. _____	- KNOCK-AWAY STYLE BOTTOM BAR
<input type="checkbox"/> - 100,000 CYCLE SPRINGS	<input type="checkbox"/> - THRU-BEAM PHOTOSWITCH, QTY. _____	- NEWGEN GUIDE AND CURTAIN LOK SYSTEM
<input type="checkbox"/> -	<input type="checkbox"/> - REFLECTIVE PHOTOSWITCH, QTY. _____	- PROGRAMMABLE CONTROLLER (PLC)
<input type="checkbox"/> -	<input type="checkbox"/> -	- INTEGRATED TIMER TO CLOSE (ADJUSTABLE)
<input type="checkbox"/> -	<input type="checkbox"/> -	- CONTROL PANEL NON-FUSED DISCONNECT