

The PRO-GH is designed for use on all rolling doors and grilles and large sectional doors with high or vertical lift track.

Date: \_\_\_\_\_  
 Page: \_\_\_\_ of \_\_\_\_\_  
 Drawing No. \_\_\_\_\_  
 Project: \_\_\_\_\_  
 Architect/Engineer: \_\_\_\_\_  
 Contractor: \_\_\_\_\_  
 Customer: \_\_\_\_\_



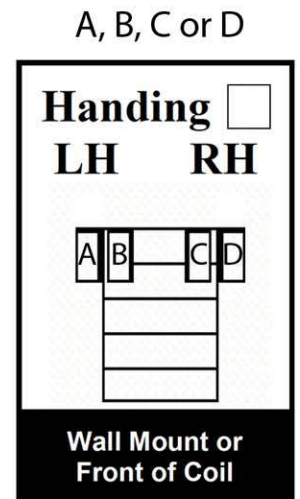
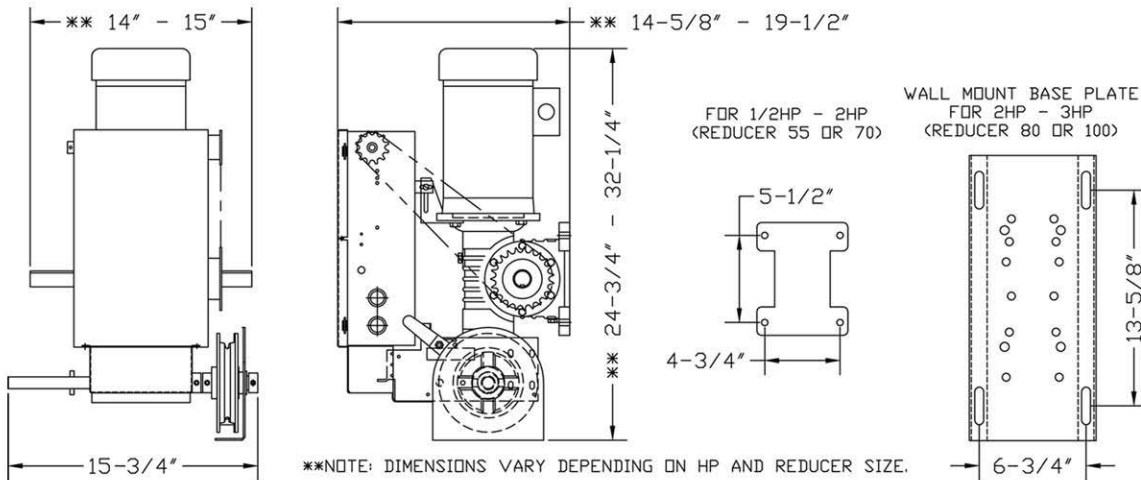
### FULL LOAD AMP RATING CHART

Voltage	1/2HP	3/4HP	1HP	1.5HP	2HP	3HP	5HP
115V - 1 $\phi$ - 60 Hz	9.0	11.2	14.6	15.8			
230V - 1 $\phi$ - 60 Hz	4.3	5.6	6.9	7.8			
230V - 1 $\phi$ - 50 Hz	5.5	6.7	7.6	10.0			
208/230V - 3 $\phi$ - 60 Hz	1.9	2.8	3.6	5.0	6.2	8.2	13.2
380V - 3 $\phi$ - 50 Hz	1.2	1.7	2.2	2.7	3.2		
460V - 3 $\phi$ - 60 Hz	1.0	1.4	1.8	2.5	3.0	4.1	6.6
575V - 3 $\phi$ - 60 Hz	0.8	1.1	1.4	1.8	2.5	3.3	5.3

Number of Operators: \_\_\_\_\_  
 Horsepower: \_\_\_\_\_  
 Volts: \_\_\_\_\_  
 Phase: \_\_\_\_\_  
 Hertz: \_\_\_\_\_  
 Type of Door: \_\_\_\_\_  
 Door Width/Height: \_\_\_ W x \_\_\_ H  
 Operator Nema Rating: \_\_\_\_\_  
 OPEN/CLOSE/STOP Control Stations: \_\_\_

Control wiring options: \_\_\_\_\_

- A** Relay Logic w/ interface module (monitored reversing device supplied)
- B** Smart 10.0 logic board (monitored reversing device supplied)
- C** Relay logic (*not available in US or other areas where UL 325 2010 is mandated*)



### Additional Equipment or Options

\_\_\_\_\_

\_\_\_\_\_

\_\_\_\_\_

\_\_\_\_\_

For technical support, please call 1-877-888-1116