

The PRO-GHC is designed for use on all rolling doors and grilles and large sectional doors with high or vertical lift track.

Date: _____
 Page: ____ of _____
 Drawing No. _____
 Project: _____
 Architect/Engineer: _____
 Contractor: _____
 Customer: _____



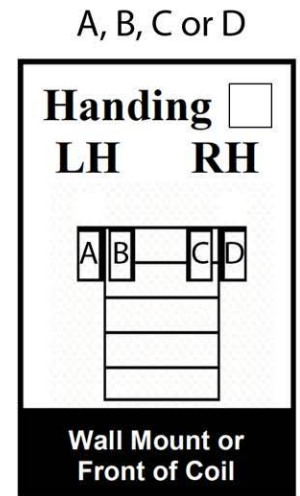
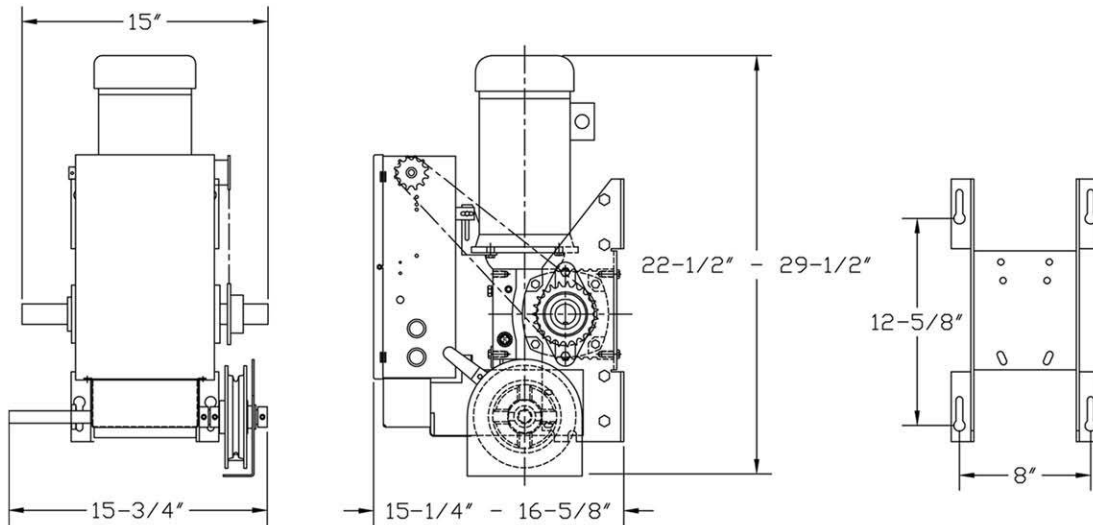
FULL LOAD AMP RATING CHART

Voltage	1/2HP	3/4HP	1HP	1.5HP	2HP	3HP
115 V - 1 ϕ - 60 Hz	9.0	11.2	14.6	15.8		
230 V - 1 ϕ - 60 Hz	4.3	5.6	6.9	7.8		
230 V - 1 ϕ - 50 Hz	5.5	6.7	7.6	10.0		
208/230 V - 3 ϕ - 60 Hz	1.9	2.8	3.6	5.0	6.2	8.2
380 V - 3 ϕ - 50 Hz	1.2	1.7	2.2	2.7	3.2	
460 V - 3 ϕ - 60 Hz	1.0	1.4	1.8	2.5	3.0	4.1
575 V - 3 ϕ - 60 Hz	0.8	1.1	1.4	1.8	2.5	3.3

Number of Operators: _____
 Horsepower: _____
 Volts: _____
 Phase: _____
 Hertz: _____
 Type of Door: _____
 Door Width/Height: ___ W x ___ H
 Operator Nema Rating: _____
 OPEN/CLOSE/STOP Control Stations: ___

Control wiring options: _____

- A** Relay Logic w/ interface module (monitored reversing device supplied)
- B** Smart 10.0 logic board (monitored reversing device supplied)
- C** Relay logic (*not available in US or other areas where UL 325 2010 is mandated*)



Additional Equipment or Options

For technical support, please call 1-877-888-1116